



3+



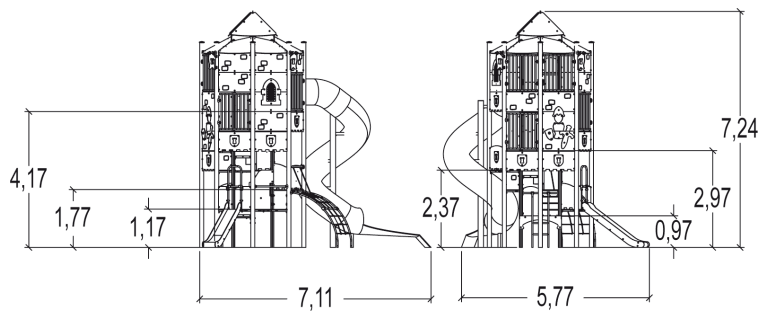
25



2,37m



1 = 7,2m 2 = 7m 3 = 7,2m



Play value

climbing



sliding



meeting / role play



hiding / resting

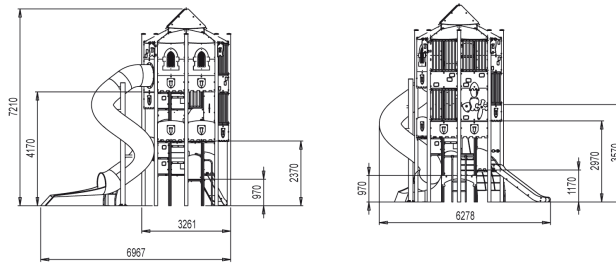


handling



balancing

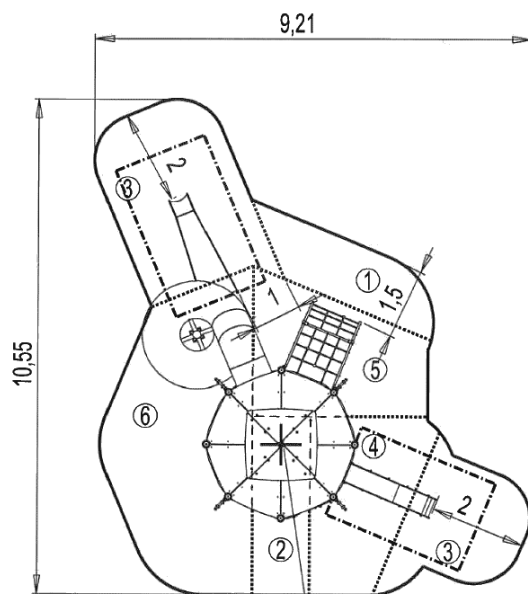






Installation of equipment

Impact area =

-  Impact area
-  Free space



Point de Référence
Setting Out Point
Punto de referencia
Bezugspunkt

		
1	0,6m	5m ²
2	0,97m	5m ²
3	1m	17,5m ²
4	1,17m	8,5m ²
5	1,77m	9m ²
6	2,37m	17,5m ²



4



00h00



3.4m³



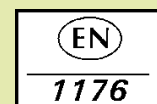
62.5m²



1995kg



600kg



Proludic

2013-10-15