



3+



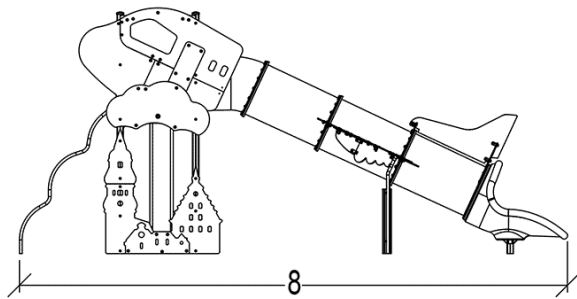
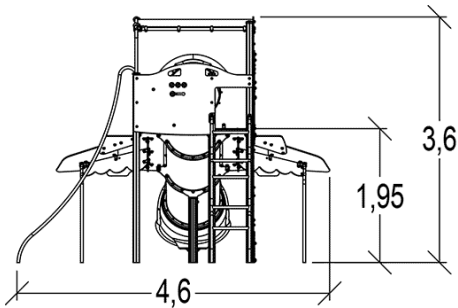
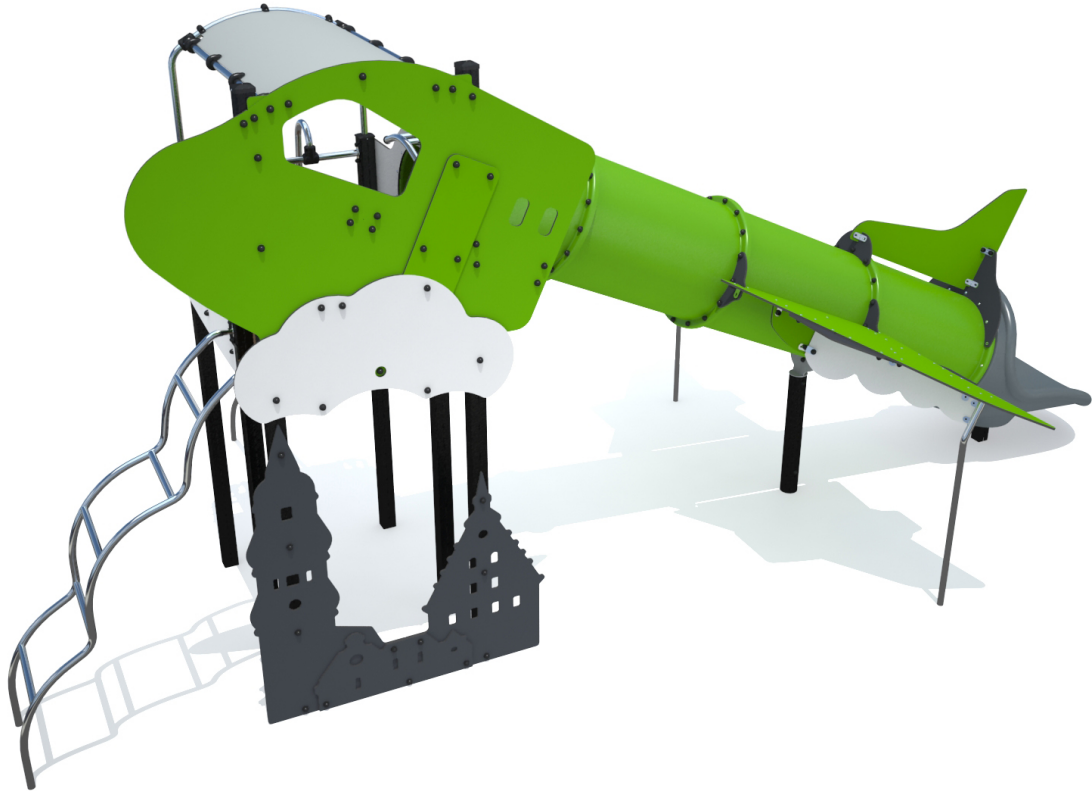
10



1,95m



1 = 7,98m 2 = 4,56m 3 = 3,57m



Play value : 6

role play



sliding



meeting



climbing

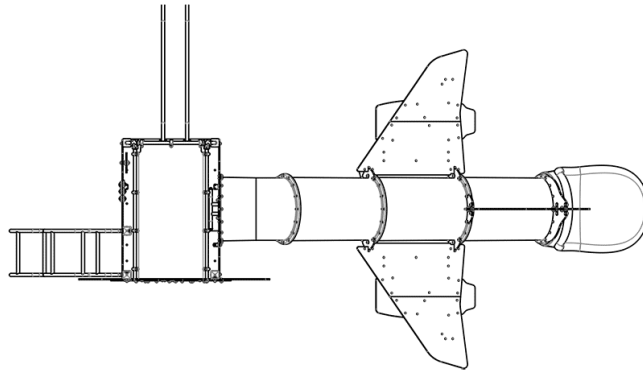


taking shelter



hiding

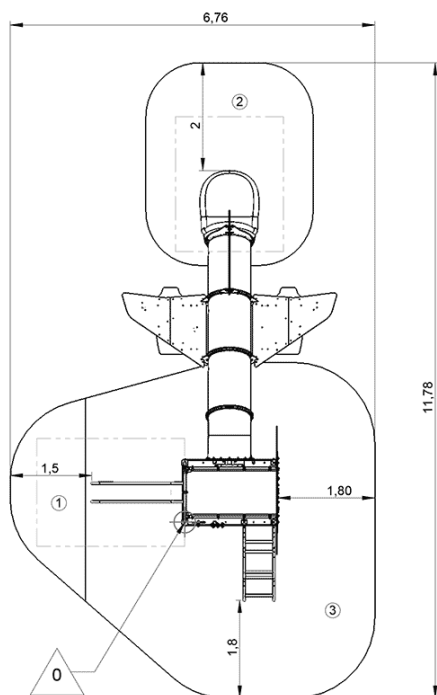






Installation of equipment

Impact area =

 Impact area
 Free space



		
1	0,6m	4m ²
2	1m	11m ²
3	1,95m	30m ²



2



10h00



0.39m³



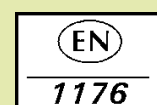
45m²



673kg



41kg



Proludic

0000-00-00