



2+



4



1,5m



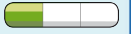
1 = 3,07m 2 = 3,93m 3 = 3,01m



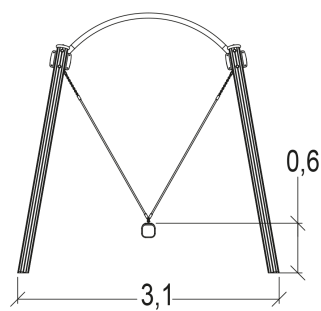
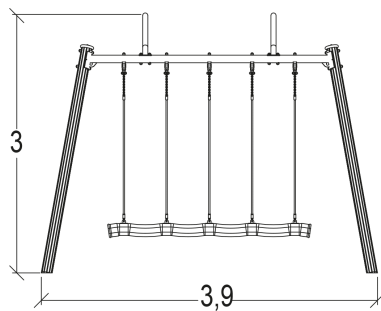
Motor disability



Sensorial disabilities



Learning disabilities



Play value :

3

swinging

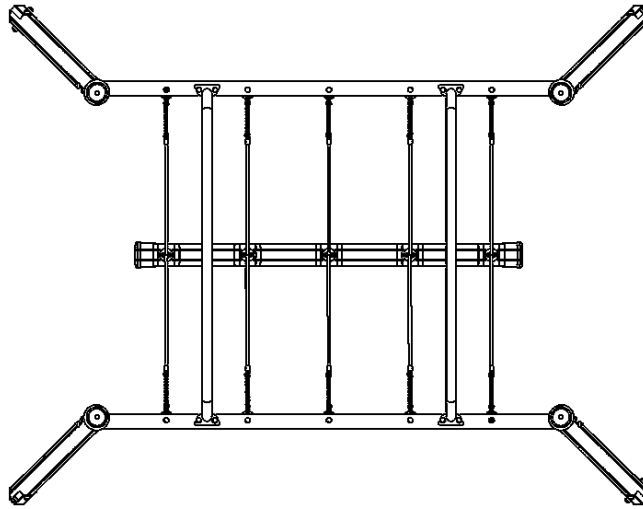


meeting



balancing







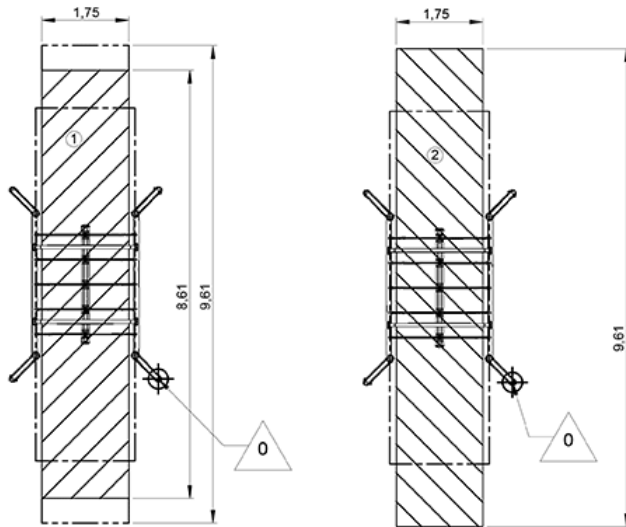
Installation of equipment



Impact area =


-  Impact area
-  Free space


 Zone d'Impact Sol souple
Impact Area Wetpour
Area de Impacto
Fallraum bei synthetischem Fallschutz


 Zone d'Impact Sol fluent
Impact Area Loose particle material
Arenero
Fallraum bei losem Bodenmaterial





		
1	1,5m	15,5m ²
2	1,5m	17m ²



2



03h00



0.3m³



15.5m²


169kg


18kg




1176


 0000-00-00