

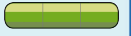

3+

1

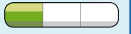
1m

1 = 1,5m 2 = 1,5m 3 = 0,03m


Motor disability



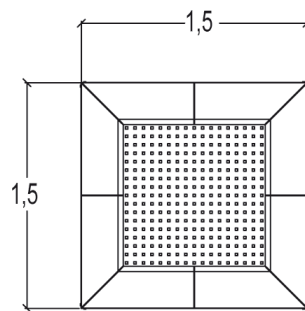
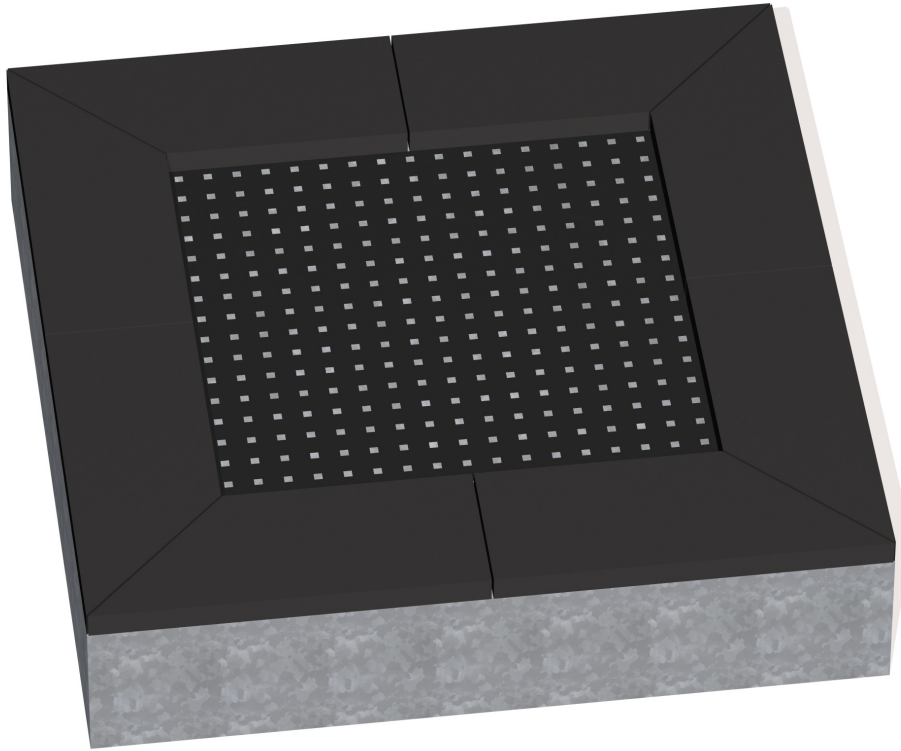
Sensorial disabilities



Learning disabilities



The space above the trampoline must be free from any obstacle up to a height of one metre, measured from the bounce surface.

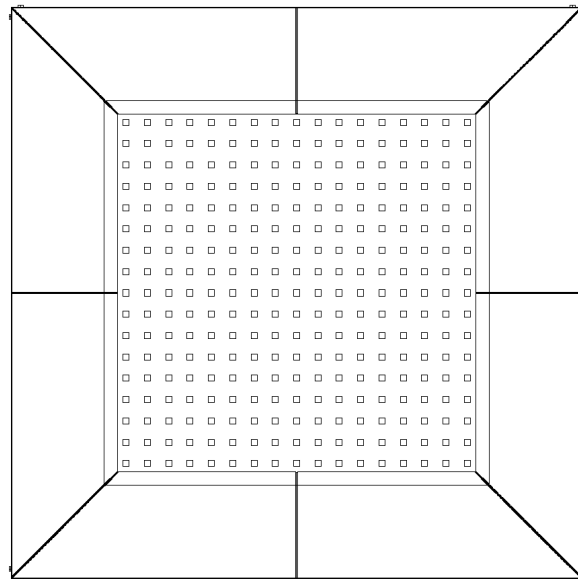

Play value :
2

balancing



meeting

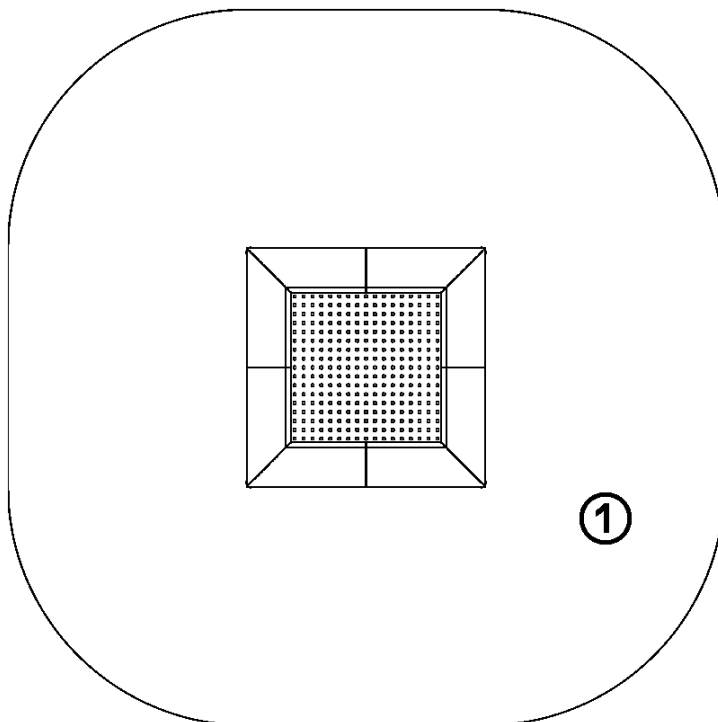






Installation of equipment

Impact area =

-  Impact area
-  Free space



		
1	1m	11,5m ²



2



01h00



0m³



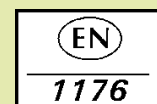
11.5m²



115kg



-



Proludic

2013-03-11