



3+



24



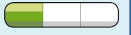
2,37m



1 = 6,84m 2 = 3,86m 3 = 5,2m



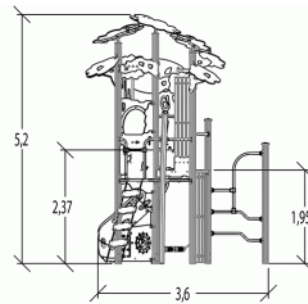
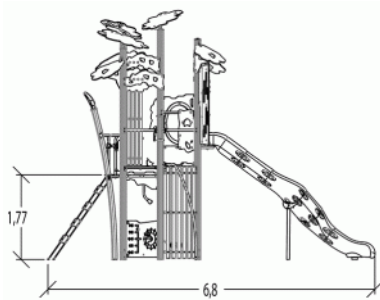
Motor disabilities



Sensorial disabilities



Learning disabilities



Play value :

20

role play



x2

sliding



x2

meeting



x1

resting



x1

handling



x1

swinging



x1

hiding



x1

balancing



x1

taking shelter



x1

thinking



x1

sound stimulation



x1

tactile stimulation



x2

visual stimulation



x2

climbing

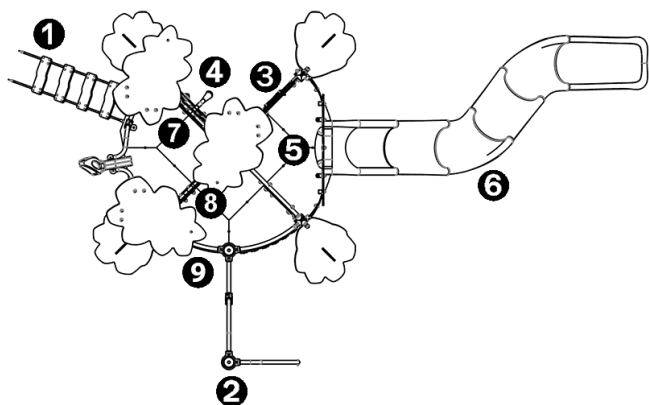


x2

getting across



x1

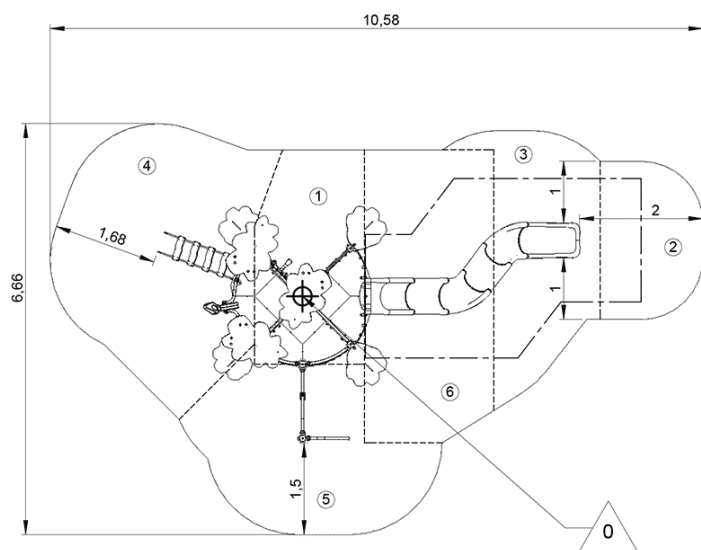


- 1 Net ladder
- 2 Interconnection
- 3 Play porthole
- 4 panneau ludique
- 5 plate-forme Ht : 2,37 m
- 6 toboggan Ht : 2.37 m
- 7 panneau ludique
- 8 palissade cabane
- 9 Assises suspendues 2 places

## Installation of equipment

Impact area =

- Impact area
- Free space



1	0,6m	6m <sup>2</sup>
2	1m	4m <sup>2</sup>
3	1,5m	6,5m <sup>2</sup>
4	1,77m	12m <sup>2</sup>
5	1,95m	8,5m <sup>2</sup>
6	2,37m	10m <sup>2</sup>



3



25h00



1.17m<sup>3</sup>



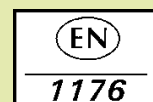
47m<sup>2</sup>



738kg



32kg



0000-00-00