



2+



14



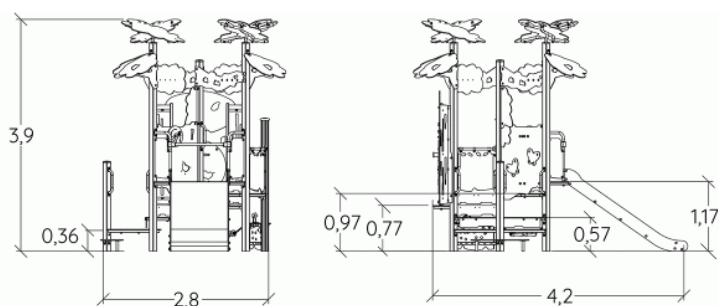
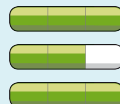
1,17m



1 = 4,64m 2 = 3,02m 3 = 3,9m



Motor disabilities
Sensorial disabilities
Learning disabilities



Play value :

18

role play



x3

meeting



x1

resting



x1

handling



x2

swinging



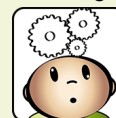
x1

taking shelter



x1

thinking



x1

sound stimulation



x2

tactile stimulation



x3

visual stimulation

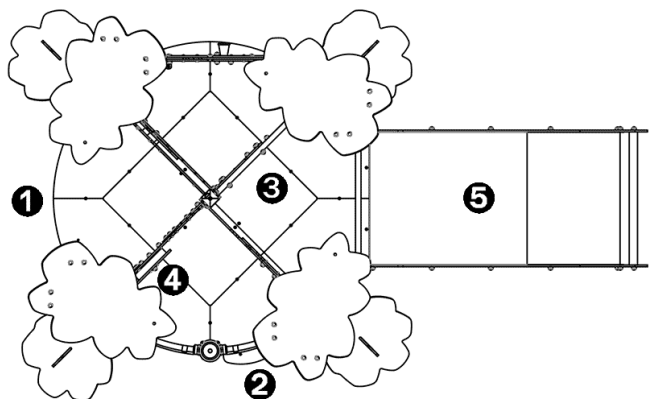


x2

climbing



x1

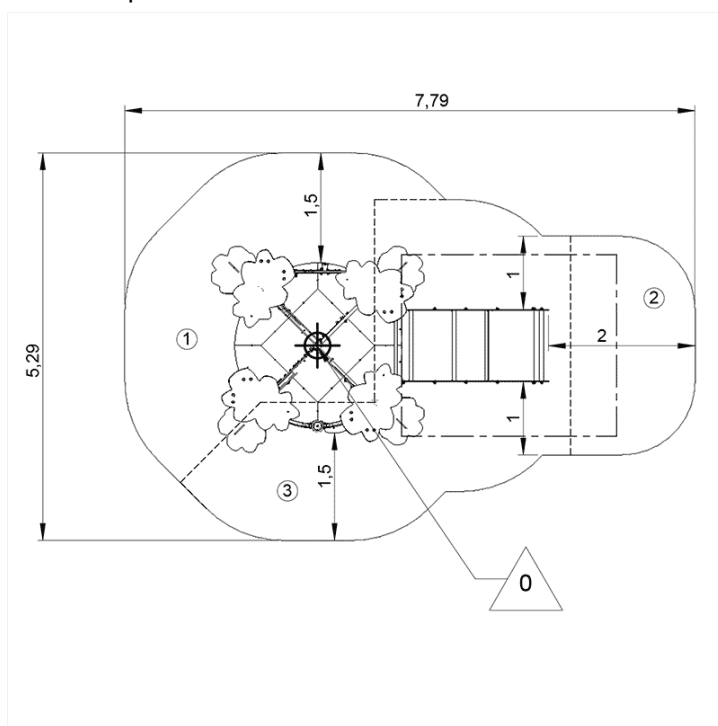


- ① Butterfly play panel
- ② Boutique
- ③ Assises suspendues 2 places
- ④ panneau ludique disque sonore
- ⑤ plate-forme avec toboggan Ht : 1,17 m

Installation of equipment

Impact area =

- Impact area
- Free space



1	0,6m	18,5m ²
2	1m	7,5m ²
3	1,17m	7,5m ²



2



18h00



1.3m³



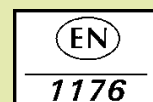
33.5m²



692kg



43kg



0000-00-00