



3+



29



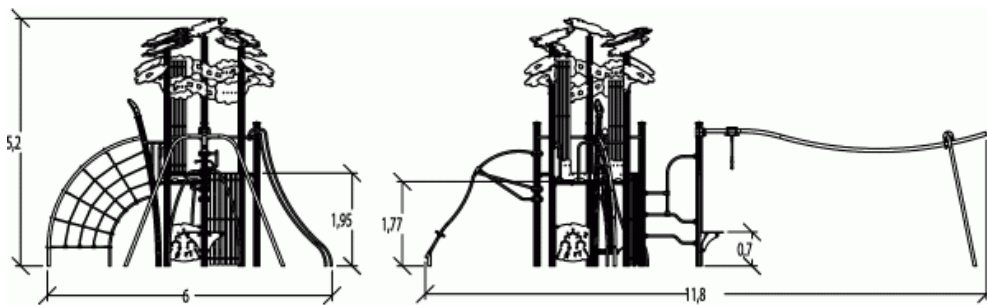
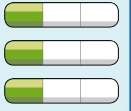
2,7m



1 = 11,8m 2 = 6m 3 = 5,2m



Motor disabilities
Sensorial disabilities
Learning disabilities



Play value : 14

role play



x1

sliding



x1

meeting



x1

resting



x1

handling



x1

hanging



x1

swinging



x1

rotating



x1

taking shelter



x1

thinking



x1

tactile stimulation



x1

climbing

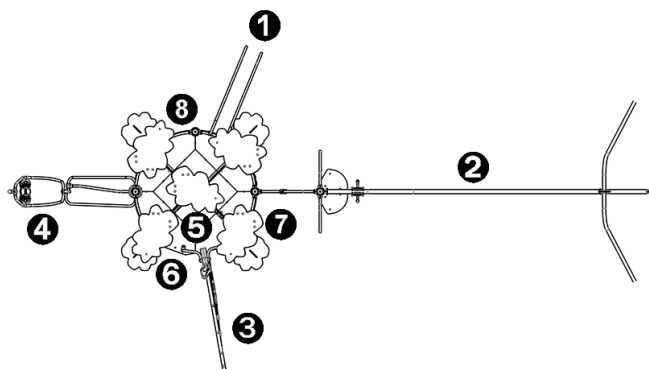


x2

getting across



x1

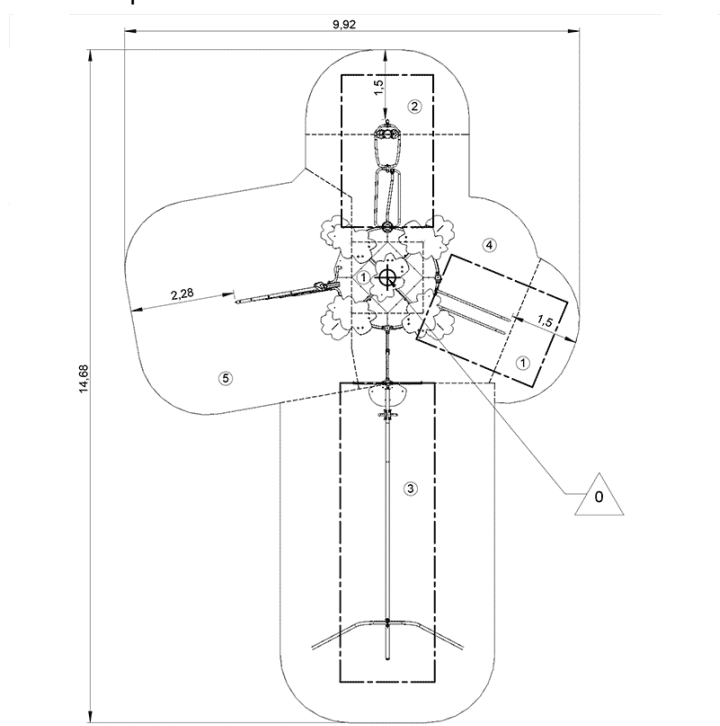


- 1 Speed slide
- 2 tele IXO
- 3 Leaf net
- 4 Gyro
- 5 plate-forme Ht : 1,95 m
- 6 palissade cabane
- 7 panneau ludique
- 8 Assises suspendues 2 places

Installation of equipment

Impact area =

- Impact area
- Free space



1	0,6m	6m ²
2	0,7m	6m ²
3	1m	33,5m ²
4	1,95m	17m ²
5	2,7m	22m ²



2



21h00



1.7m³



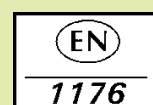
84.5m²



813kg



39kg



0000-00-00