



2+



5



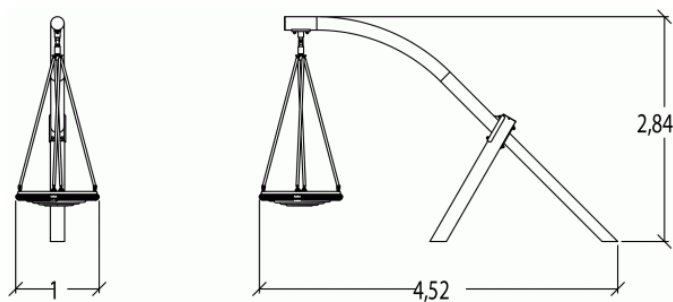
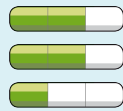
1,6m



1 = 4,55m 2 = 1,1m 3 = 2,84m



Motor disabilities
 Sensorial disabilities
 Learning disabilities



Play value : 4

meeting



swinging

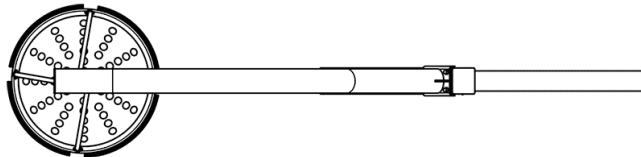


balancing



rotating





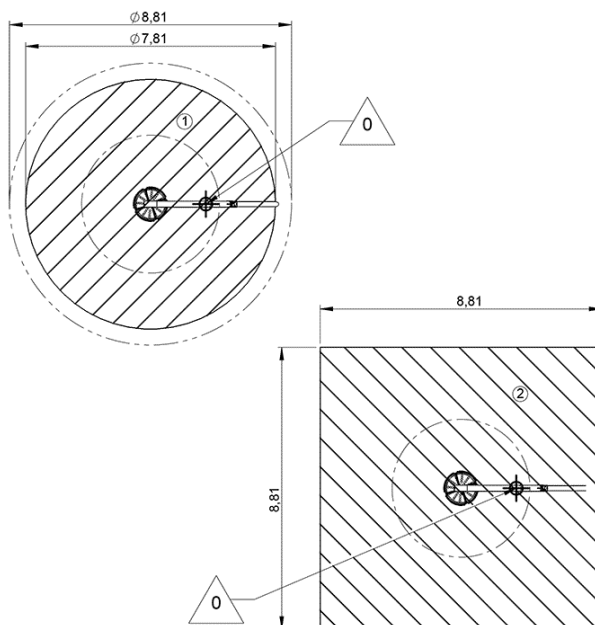
Installation of equipment



Impact area =

 Impact area
 Free space

 Zone d'Impact Sol souple
 Impact Area Wetpour
 Area de Impacto
 Fallraum bei synthetischem Fallschutz

 Zone d'Impact Sol fluent
 Impact Area Loose particle material
 Arenero
 Fallraum bei losem Bodenmaterial



		
1	1,6m	48m ²



3



03h00



1.92m³



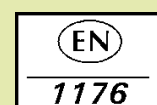
48m²



372kg



127kg



0000-00-00