



2+



5



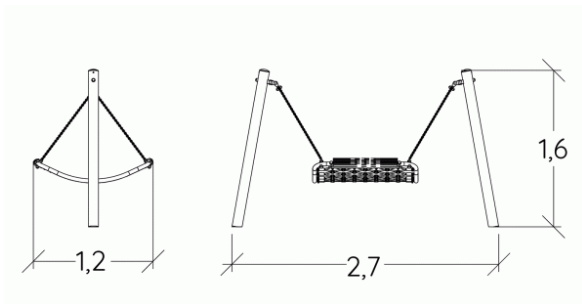
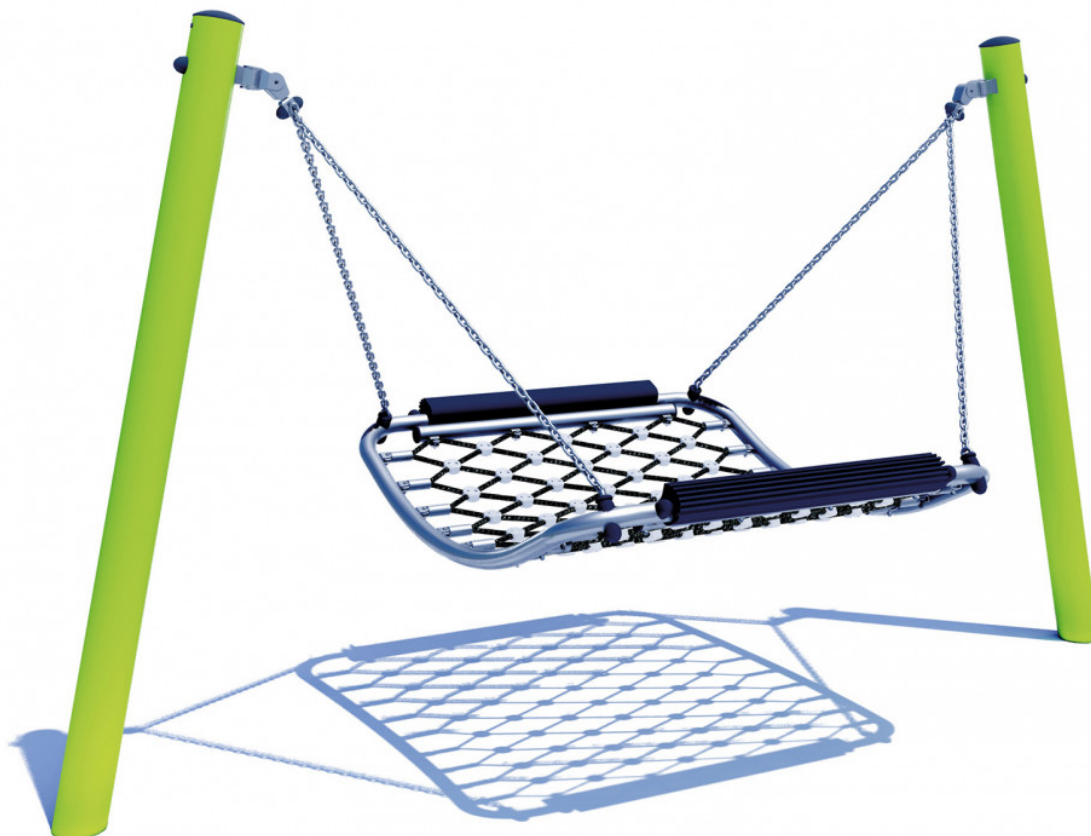
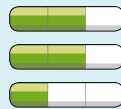
0,94m



1 = 2,71m 2 = 1,22m 3 = 1,6m



Motor disabilities  
 Sensorial disabilities  
 Learning disabilities



Play value : 3

swinging

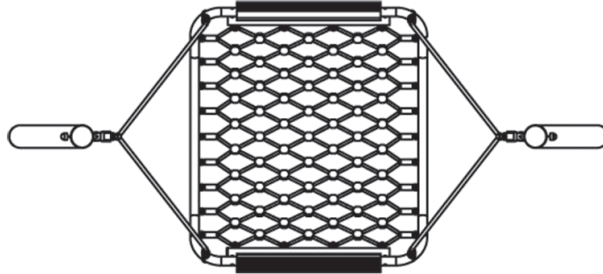


meeting



resting

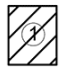





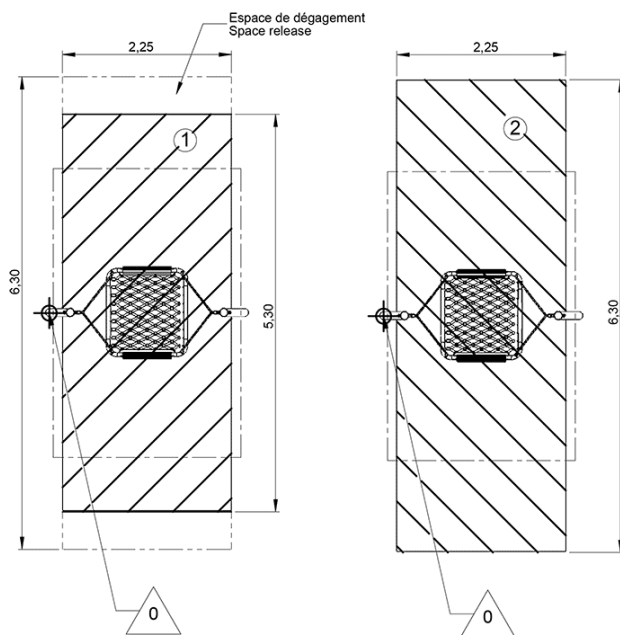
## Installation of equipment



Impact area =

 Impact area  
 Free space

 Zone d'Impact Sol souple  
 Impact Area Wetpour  
 Area de Impacto  
 Fallraum bei synthetischem Fallschutz

 Zone d'Impact Sol fluent  
 Impact Area Loose particle material  
 Arenero  
 Fallraum bei losem Bodenmaterial



		
1	0,94m	12m <sup>2</sup>



2



01h00



0.4m<sup>3</sup>



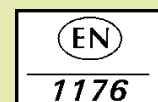
12m<sup>2</sup>



65kg



29kg



0000-00-00