



2+



32



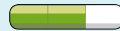
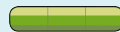
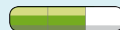
3m

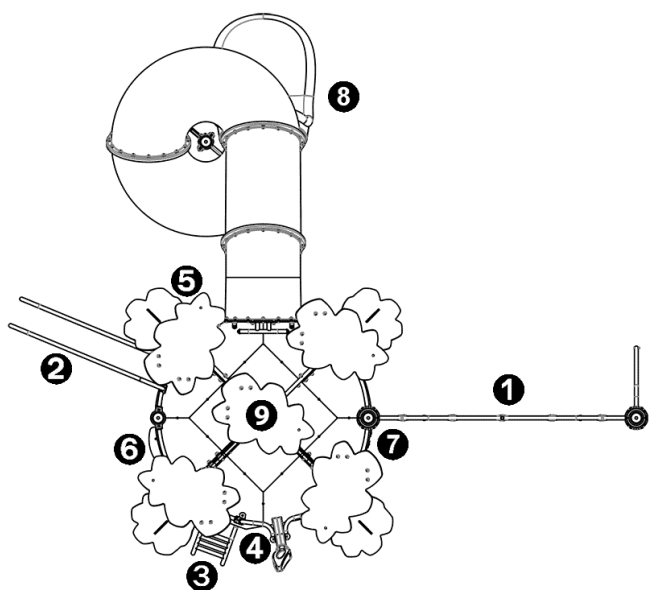


1 = 6,7m 2 = 5,8m 3 = 5,2m



Motor disabilities
Sensorial disabilities
Learning disabilities



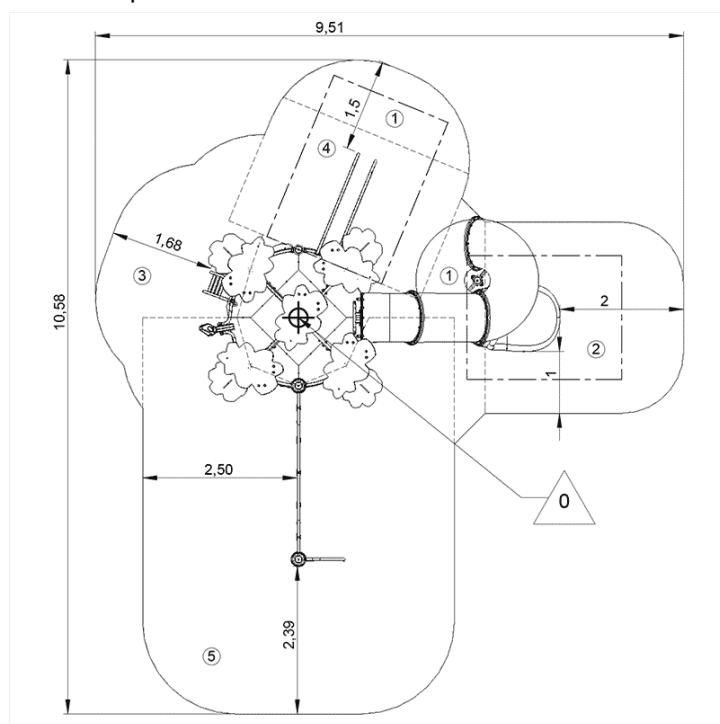


- 1 Net IXO
- 2 Speed slide
- 3 Ladder Ht: 1.77m
- 4 PANNEAU LUDIQUE BOULIER
- 5 palissade cabane
- 6 Boutique
- 7 Assises suspendues 2 places
- 8 toboggan polyéthylène Ht : 2.37 m
- 9 plate-forme Ht : 2,37 m

Installation of equipment

Impact area =

- Impact area
- Free space



1	0,60m	9,5m ²
2	1,00m	9,5m ²
3	1,77m	6m ²
4	2,37m	7,5m ²
5	3,00m	30m ²



2



20h00



1.2m³



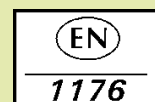
62.5m²



984kg



41kg



0000-00-00