



3+



15



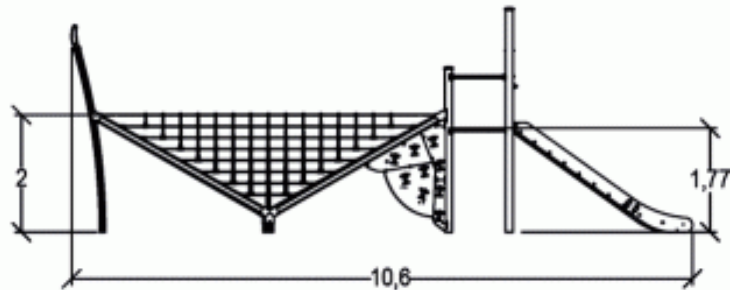
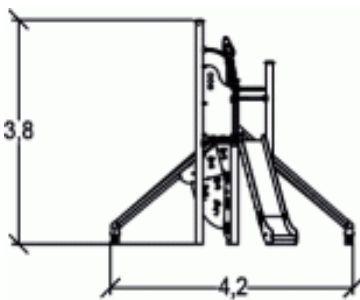
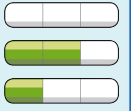
2m



1 = 10,62m 2 = 4,17m 3 = 3,83m



Motor disabilities
 Sensorial disabilities
 Learning disabilities



Play value : 9

climbing



x1

sliding



x1

meeting



x2

hiding



x1

climbing

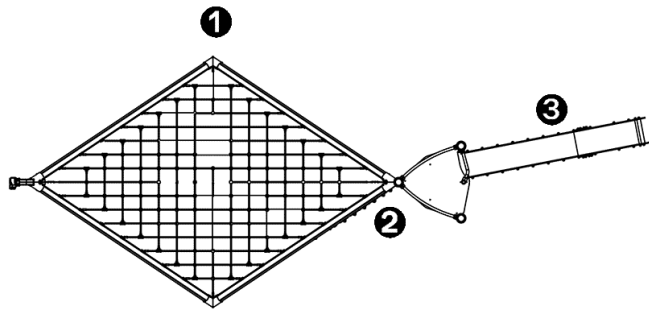


x2

getting across



x2

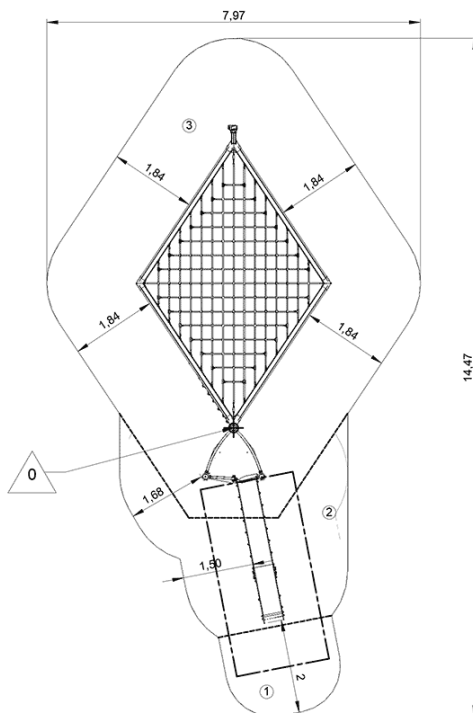


- ① Net
- ② Climbing wall
- ③

Installation of equipment

Impact area =

- Impact area
- Free space



1	1m	4,5m ²
2	1,77m	12m ²
3	2m	52,5m ²



2



11h00



0.8m³



69m²



466kg



37kg



0000-00-00