



2+



8



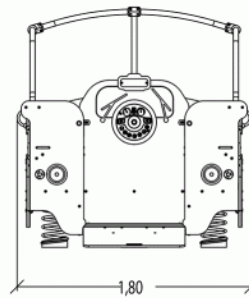
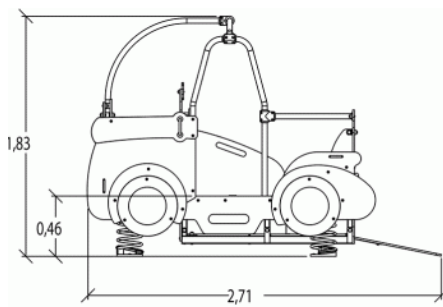
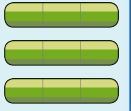
0,46m



1 = 2,72m 2 = 1,8m 3 = 1,84m



Motor disabilities
 Sensorial disabilities
 Learning disabilities



Play value

balancing



swinging



meeting



role play



resting



tactile stimulation



tactile stimulation



tactile stimulation



tactile stimulation



tactile stimulation



thinking



thinking

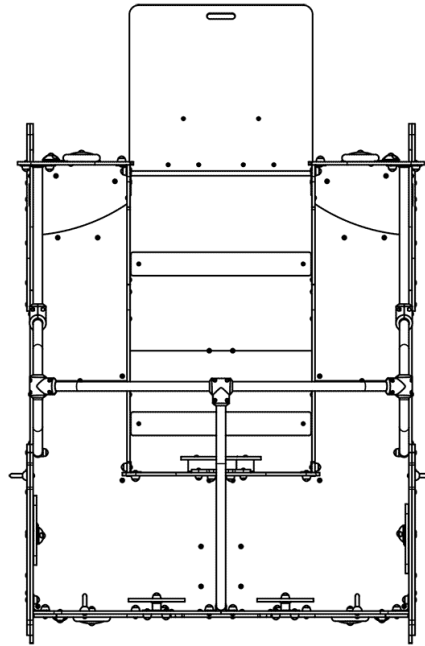


handling



handling

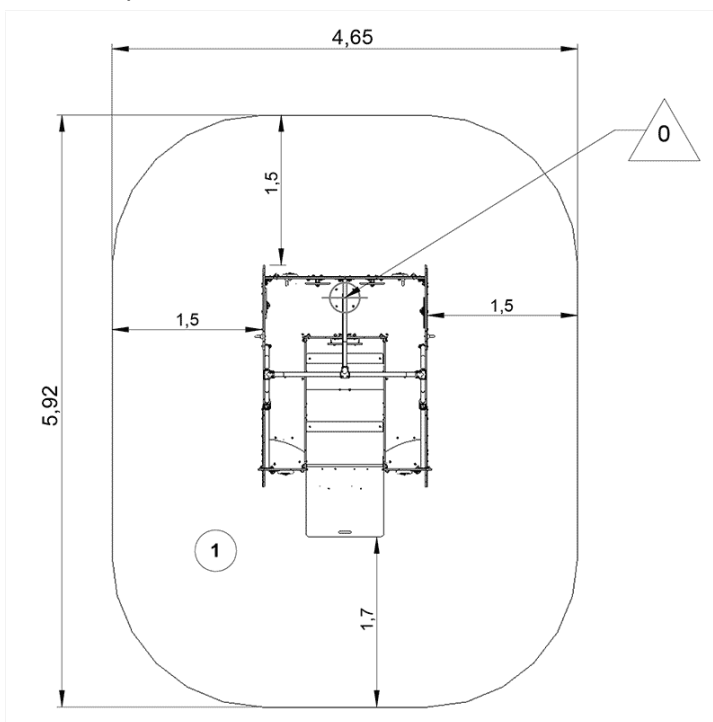












Installation of equipment

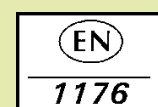
Impact area =

 Impact area
 Free space



		
1	0,46m	26m ²

					
2	04h00	0m ³	26m ²	366kg	20kg



0000-00-00