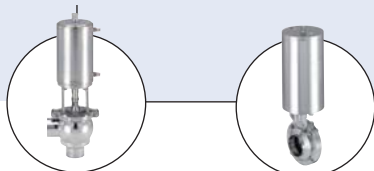


## 8681, 869x and 879x Remote Installation Kits



Positioner / Process controller and control head can be combined with...



Seat valve

Butterfly valve

## Installation kits for hygienic process valves

- Positioner / Process controller TopControl ELEMENT Type 8692, 8693, 8694 BASIC and 8696 BASIC
- Positioner / Process controller SideControl Remote Type 8792, 8793 and 8791 BASIC
- Control head Type 8681 and ELEMENT Type 8690, 8691 and 8695
- Integrated program for decentralized automation of hygienic process valves and auxiliary processes

Optimized for the hygienic processing in the beverage, food and pharmaceutical industry, control heads, positioners and process controllers can be combined with all types of pneumatically actuated process valves. In terms of automation concept and field equipment selection this enables complete uniform solutions, regardless of whether they are hygienic single-seat, double seat and butterfly valves or fittings for auxiliary mediums such as steam, water and cleaning chemicals. This standardization reduces stock and simplifies plant operation by reducing the diversity of devices. Installation kits being robust and specifically tailored to all commercially available fittings, integrate control heads, positioners and process controllers in a simple and reliable way.

### Control head

Smart control heads through their hygienic design are the ideal decentralized automation process component in a hygienic environment. They take over the complete pneumatic actuation, feedback control, and diagnostic functions but also field bus communication. Resistant materials and a tried and tested IP protection, which is additionally secured by means of a pressurized housing avoiding intake of condensate and moisture, guarantee reliability. An automatic Teach-function of the contactless and thus wear-free end position sensor and pneumatic valves with integrated restriction function, check valves and manual actuation are the key features. The coloured status display uses high-power LEDs for easy process monitoring. As communication interfaces, AS-Interface or DeviceNet are available.

### Positioner / Process Controller TopControl

Uniquely integrated yet universally combinable the digital positioners and process controllers of the TopControl ELEMENT series offer an optimal solution for product control with hygienic process valves as well as the control of auxiliary mediums. The smart positioners and process controllers in hygienic design are extremely compact, resistant to cleaning and form a robust unit with the control valve actuators. The internal position sensor is contactless and thus wear-free. The built-in particle filter is easily maintained and supports operational safety against dirt particles in the air. The energy consumption is minimized by the pilot valve system having no intrinsic compressed air consumption.

With identical installation kits and device operation the product range of positioners and process controllers provides also SideControl devices for remote control as an addition to the TopControl ELEMENT series. There are also devices available for mounting acc. to IEC / NAMUR standard for classical linear and rotary actuators. This communication can be done via Profibus DPV1, DeviceNet and AS-interface.

**Positioner and Process Controller**

**Positioner TopControl  
Type 8692**

More info.



PROFIBUS DPV1  
DeviceNet™

The new generation of integrated positioners/process controllers is specially designed for the requirements of hygienic process environments. The easy handling and the selection of additional software functions are done either on a big graphic display with backlight and keypad or via a PC interface. A contact-free analogue position sensor registers the valve position without deterioration. Single-acting or double-acting actuators are controlled via the integral positioner system. With Type 8693, the process controller function is superimposed on the position control loop. Profibus DPV1 and DeviceNet communication interfaces are available as options.

**Main customer benefits:**

- Compact design of the valve system with integrated positioner/process controller meets the demands for plant washdown environments through the selection of materials, external seals and integrated control air supply to the actuator
- Extremely simple commissioning and operation thanks to the back-lighting of the graphics display and proven multilingual software structure
- Automatic parameterisation of the positioner and process controller using the TUNE functions
- Field bus communication via Profibus DPV1 or DeviceNet
- Air intake filter enhances the process valve system availability
- Actuator - Installation kits for the Actuator series ELEMENT, CLASSIC or external actuators

**Process controller  
TopControl Type 8693**

More info.

**Positioner TopControl  
Basic Type 8694**

More info.



**Positioner TopControl  
Basic Type 8696**

More info.



The new generation of integrated positioners is specially designed for the requirements of hygienic process environments. The operation and selection of the software functions close tight function, inversion of the operating direction of the setpoint signal, characteristic curves selection and switching manual/automatic operation are effected via push-buttons and DIP switches or via the PC interface. The position setpoint is set using the standard signal 4 - 20 mA. In addition, the activation can be controlled via the binary input and an optional position feedback can be integrated.

The positioner, Type 8694, registers the valve position without deterioration through a contact-free analogue position sensor. The positioner, Type 8694 / 8696 BASIC, registers the inductive valve position and is also contact-free and non-wearing. An AS-Interface communication interface is available as an option.

**Main customer benefits:**

- Compact design of the valve system with integrated positioner meets the demands for plant washdown environments through the selection of materials, external seals and integrated control air supply to the actuator
- Automatic parameterisation of the positioner using the Process TUNE function
- Field bus communication via optional AS-Interface
- Air intake filter enhances the process valve system availability
- Simple and reliable actuator installation kits, optional also for the ELEMENT, CLASSIC actuator series or external actuators
- Energy saving with pneumatic actuator system without intrinsic air consumption in steady state condition.

**Positioner SideControl  
Type 8792**

More info.



DeviceNet™  
PROFIBUS DPV1

**Process controller  
SideControl Type 8793**

More info.



Type 8792/8793 is a digital electro-pneumatic positioner with an optional, integrated process controller (8793) for precise control requirements. The compact design with integrated position encoder and LCD display was developed for demanding applications of the process industry. A Profibus DPV1 or Device Net communication interface is available as an option.

**Main customer benefits:**

- Time saving algorithms for temperature, flow and pressure PID parameters through ProcessTUNE function.
- Quick and simple menu driven parameterization through keyboard or Profibus DPV1 PA
- Mounting acc. to IEC534-6 and VDI/VDE 3845 for lift and swivel drives or as a Remote version together with Bürkert process valves
- Rugged anodised aluminium housing
- Energy saving with pneumatic actuator system without intrinsic air consumption in steady state condition.
- Explosion-proof models for zone 2/22
- Universal single-and double-acting control system with self-adjusting air power

**Positioner SideControl Basic Type 8791**

More info.



The Type 8791 is a digital electro-pneumatic positioner for precise control. The operation and selection of the cutoff software features for the inversion of the operating direction of the setpoint signal, characteristic curves selection and switching of the manual/automatic switch are effected via push-buttons and DIP switches or the PC interface. In addition, the initiation can be controlled via the binary input and an optional position feedback can be integrated. An AS-Interface communication interface is available as an option.

**Main customer benefits:**

- Automatic parameterisation of the positioner using the Process TUNE function
- Mounting acc. to IEC534-6 and VDI/VDE 3845 for lift and swivel drives or as a Remote version
- Rugged anodised aluminium housing
- Energy saving with pneumatic actuator system without intrinsic air consumption in a steady state condition.
- Universal single-and double-acting control system with self-adjusting air power

**Control head and Control**

**Pneumatic control Type 8690**



More info.

The new generation of integrated controllers is specially designed for the requirements of hygienic process environments. The pneumatic control unit Type 8690 combines electrical position feedback and pneumatic control for single or double-acting actuators, and is also optionally available as an intrinsically safe model to ATEX.

**Main customer benefits:**

- Compact design of the valve system with integrated controller meets the demands for plant washdown environments through the selection of materials, external seals and integrated control air supply to the actuator.
- Integrated pilot valve with manual actuation
- Air intake filter enhances the process valve system availability
- Simple and reliable actuator mounting
- actuator - Installation kits for the Actuator series ELEMENT, CLASSIC or external actuators

**Pneumatic control Type 8691**



More info.

The new generation of integrated control heads for combination with actuators from the process valve series Type 21xx is specially designed for the requirements of hygienic process environments. The intelligent control head, Type 8691, detects the valve position by means of a contact-free analog position sensor circumventing excessive wear of mechanical parts. Single or double-acting actuators are controlled via the integral pilot valve. Communication interfaces AS-Interface and DeviceNet are available as options.

**Main customer benefits:**

- Compact, hygienic design of the valve system with integrated controller meets the demands of plant washdown environments through the selection of materials, external seals and integrated control air supply to the actuator.
- Automatic setting of the control head at the push of a button
- Even under dirty or dark environments, a clearly visible status display due to powerful LEDs
- Monitoring and diagnosis: Process valve systems with field bus interface used in modern plant processes
- Integrated pilot valve with manual actuation
- Air intake filter enhances the process valve system availability
- Simple and reliable actuator mounting
- Actuator - Installation kits for the Actuator series ELEMENT, CLASSIC or external actuators

**Control head Type 8695**



More info.

The new generation of integrated control heads is specially designed for the requirements of hygienic process environments. The intelligent control head, Type 8695, detects the valve position by means of a contact-free analog position sensor circumventing excessive wear of mechanical parts. Single and double-acting actuators are controlled via the integral pilot valve. An AS-Interface communication interface is available as an option.

**Main customer benefits:**

- Compact, hygienic design of the valve system with integrated controller meets the demands of plant washdown environments through the selection of materials, external seals and integrated control air supply to the actuator
- Automatic setting of the control head at the push of a button
- Visual status display on the control head
- Monitoring and diagnosis: Process valve systems with fieldbus interface used in modern plant processes
- Integrated pilot valve
- Installation kits for the Actuator series ELEMENT, CLASSIC or external actuators

**Control head Type 8681**



More info.

The control head type 8681 is optimized for automation of hygienic process valves. Through its universal mounting it is compatible with all standard valves, ball valves, single and double seat valves. Up to 4 valve positions can be read by a contact-free inductive position sensor and an external initiator. Communication interfaces AS-Interface and DeviceNet are available as options.

**Main customer benefits:**

- Universal mounting to all common types of valves
- Automatic setting at the push of a button of the end position recording
- Clear visible status indicator for process monitoring and diagnosis in the valve panel.
- Pilot valves with manual override, restricting function and built-in check valve
- Pressurised enclosure for IP-Protection practice oriented and hygienic design.
- Initiation of the maintenance function's without opening control head housing
- for ATEX Zone 2/22 optional

**For detailed information on the positioner and the positioner program please click here: [www.burkert.com](http://www.burkert.com)**

**Available material**

- Installation kits are available partially in stainless steel and PA 6/6.

**Other versions on request**

Note: Subject to alteration of technical data and design of third party actuators. A sampling of the respective associated installation kit is therefore necessary in every case. The information on the compatibility of the installation kit is done so with reservations.

**Ordering chart for installation kits (other versions on request)**

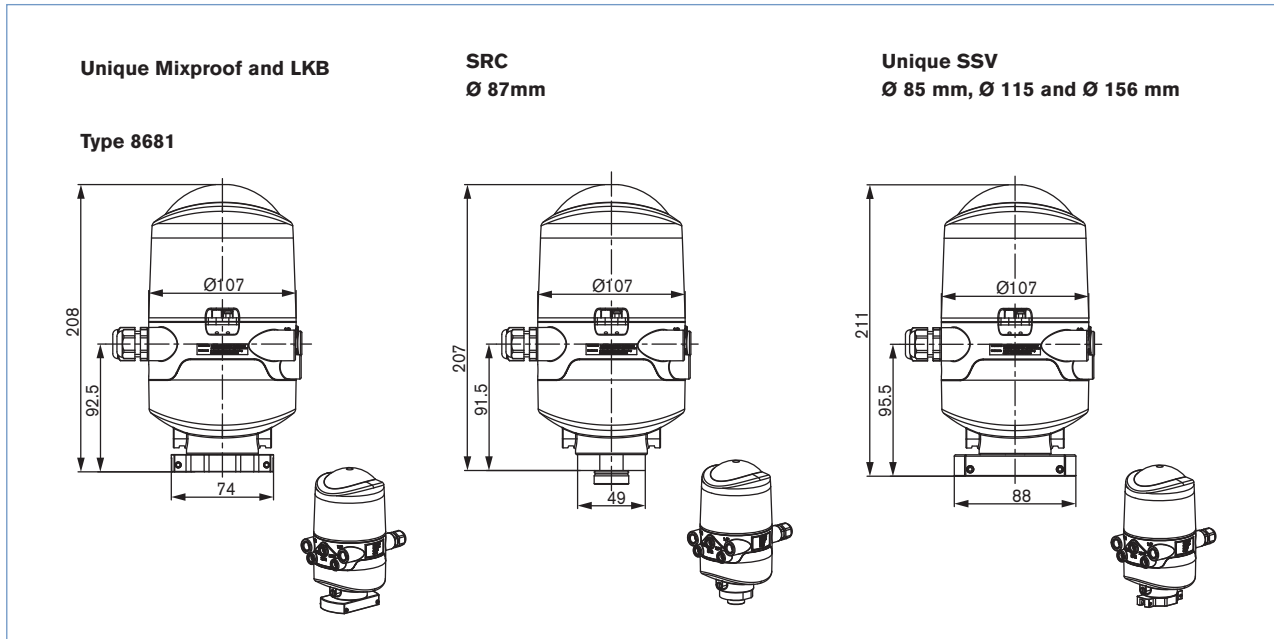
**Bürkert Installation Kit suitable for Alfa Laval valves**

Alfa Laval Type Bürkert Type	LKLA Ø 87 mm for LKB	LKLA Ø 156 mm for LKB	Unique Mixproof	Unique SSV Ø 85 mm Ø 115 mm Ø 156 mm	SRC Ø 87 mm	Unique 7000
Type 8690	-	-	-	-	-	-
Type 8691	230 991	230 993	230 991	230 988	on request	on request
Type 8692	230 991	230 993	230 991	230 988	on request	on request
Type 8693	230 991	230 993	230 991	230 988	on request	on request
Type 8694	230 991	230 993	230 991	230 988	on request	on request
Type 8695	-	-	-	-	-	-
Type 8696	-	-	-	-	-	-
Type 8791/8798 remote	230 991	230 993	230 991	230 988	on request	on request
Type 8792/8793/8798 remote	230 991	230 993	230 991	230 988	on request	on request
flange pattern / control air routing	FA05 / external	FA05 / external	FA05 / external	FA05 / external	FA05 / external	FA05 / external
Type 8681*	251 806	251 806	251 806	251 806	251 806	251 806

\* for Type 8681 - control air supply: external air routing

**Dimensions [mm]**

**Bürkert installation kit suitable for Alfa Laval valves**



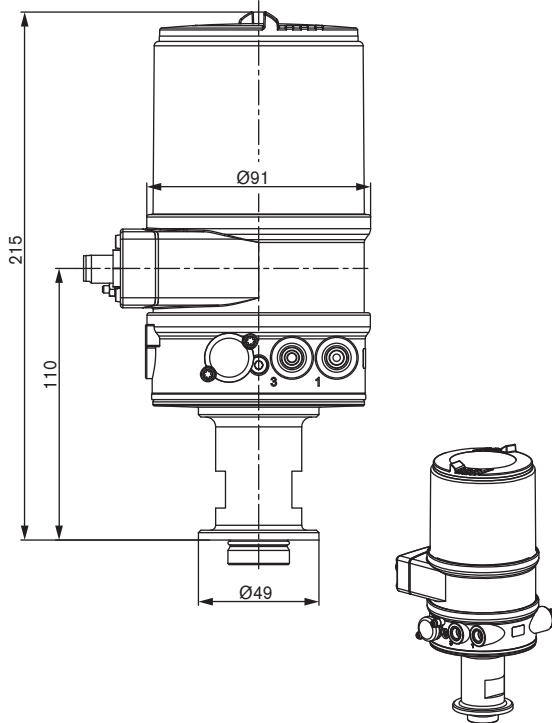
**Other versions on request**

Note: Subject to alteration of technical data and design of third party actuators. A sampling of the respective associated installation kit is therefore necessary in every case. The information on the compatibility of the installation kit is done so with reservations.

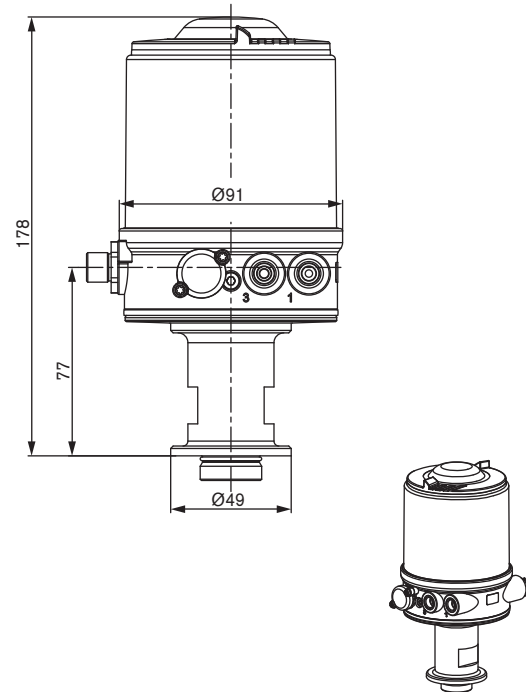
**Dimensions *cont.* [mm]**

Bürkert installation kit suitable for Alfa Laval valves

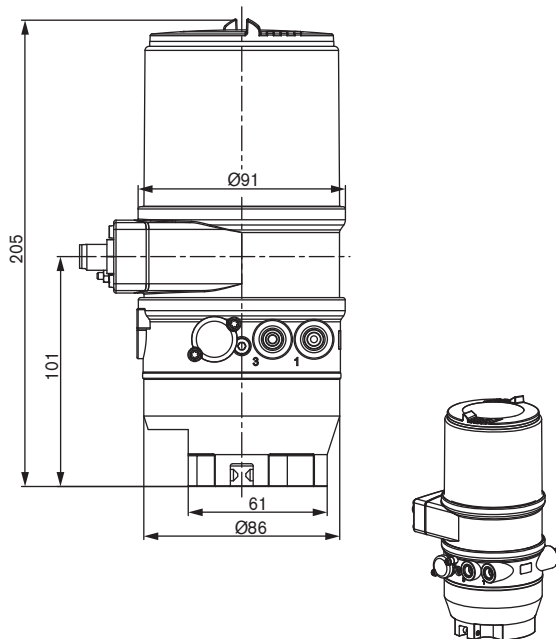
**Unique SSV  
Type 8692 and 8693**



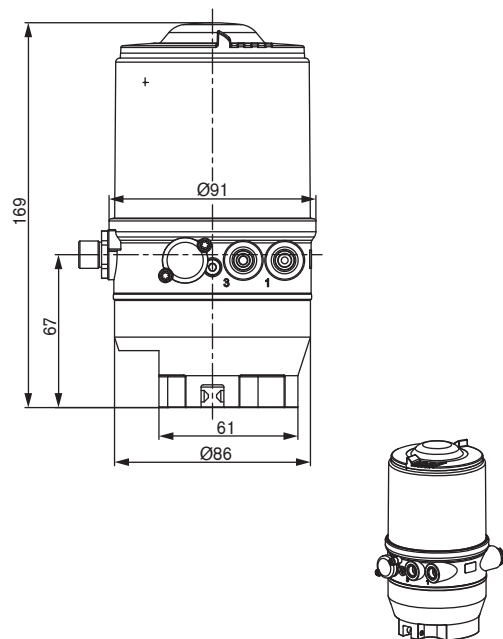
**Type 8691, 8694 and 8798 Remote**



**Unique and LKLA  
Type 8692 and 8693**



**Type 8691, 8694 and 8798 Remote**



**Other versions on request**

Note: Subject to alteration of technical data and design of third party actuators. A sampling of the respective associated installation kit is therefore necessary in every case. The information on the compatibility of the installation kit is done so with reservations.

**Ordering chart for installation kits (further versions on request)**

**Bürkert installation kit suitable for GEA Tuchenhagen valves**

GEA Type Bürkert Type	T-Smart 8000	T-Smart 7 T-Smart 9	EcoVent	Varivent AA - EH5	Varivent DF6 - SN6	Varivent Z ZBB - ZEH	Varivent Z ZEK6Z - SN6Z
Type 8690	-	-	-	-	-	-	-
Type 8691	239 178	285 389	230 964	230 965	-	230 965	-
Type 8692	239 178	285 389	230 964	230 965	-	230 965	-
Type 8693	239 178	285 389	230 964	230 965	-	230 965	-
Type 8694	239 178	285 389	230 964	230 965	-	230 965	-
Type 8695	-	-	-	-	-	-	-
Type 8696	-	-	-	-	-	-	-
Type 8791/8798 remote	239 178	-	230 964	230 965	-	230 965	-
Type 8792/8793/8798 remote	239 178	-	230 964	230 965	-	230 965	-
flange pattern / control air routing	FA03/ internal	-	FA05/ external	FA03/ internal	-	FA03/ internal	-
Type 8681 *	230 967	279 454	230 973	230 973	230 973	230 973	230 973

\* for Type 8681 - control air supply: external air routing

GEA Type Bürkert Type	Varivent Mixproof	SCAMI
Type 8690	-	-
Type 8691	-	-
Type 8692	-	-
Type 8693	-	-
Type 8694	-	-
Type 8695	-	-
Type 8696	-	-
Type 8791/8798 remote	-	-
Type 8792/8793/8798 remote	-	-
flange pattern / control air routing	-	-
Type 8681 *	230 973	228 711

\* for Type 8681 - control air supply: external air routing

**The installation kits are used only in conjunction with GEA Tuchenhagen valves in circuit function A - circuit function B based on prior inspection or upon request.**

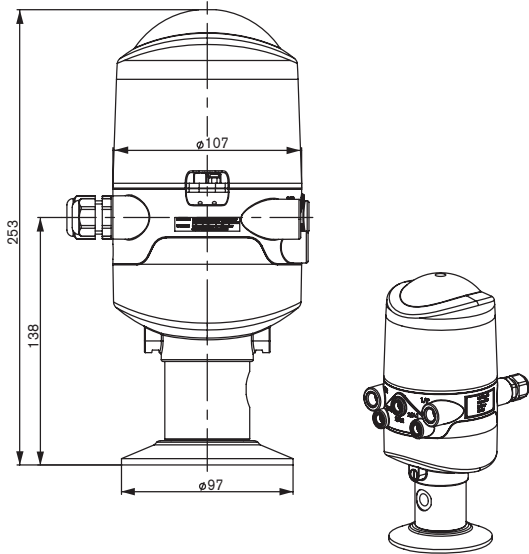
**Other versions on request**

Note: Subject to alteration of technical data and design of third party actuators. A sampling of the respective associated installation kit is therefore necessary in every case. The information on the compatibility of the installation kit is done so with reservations.

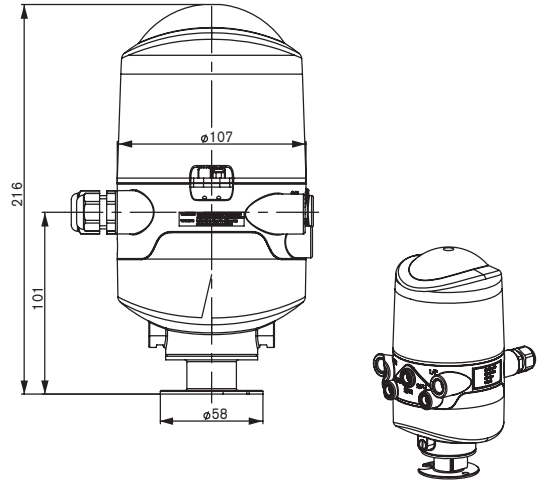
**Dimensions [mm]**

Bürkert installation kit suitable for GEA Tuchenhagen valves

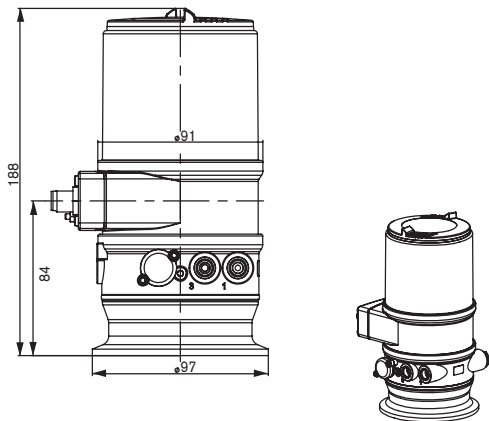
**Varivent  
Typ 8681**



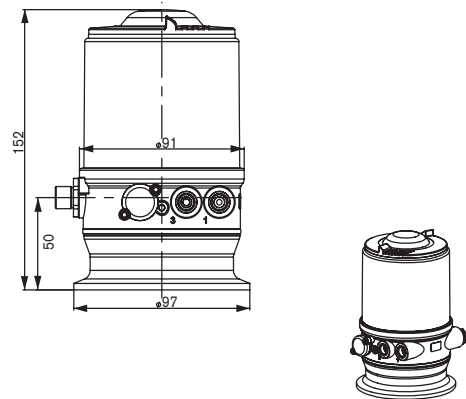
**Scami**



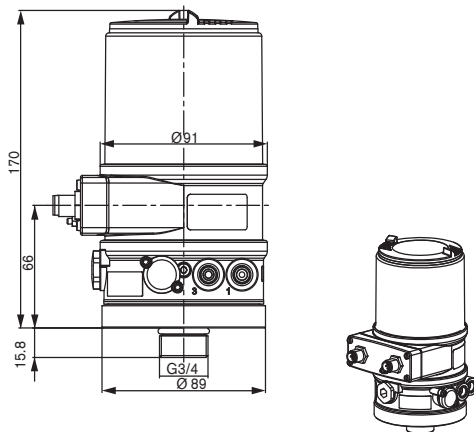
**Ecovent  
Type 8692 and 8693**



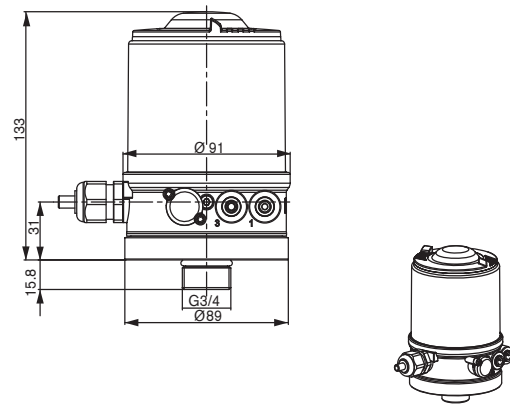
**Type 8691, 8694 and 8798 Remote**



**T-Smart 8000  
Type 8692 and 8693**



**Type 8691, 8694 and 8798 Remote**



DTS 1000184481 EN Version: M Status: RL (released | freigegeben | valide) printed: 24.10.2016

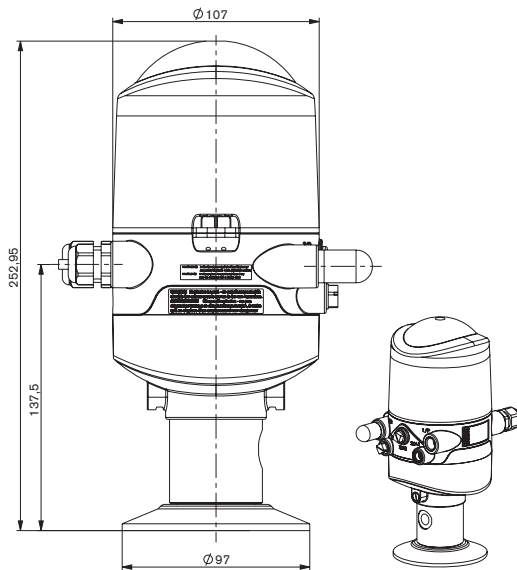
**Other versions on request**

Note: Subject to alteration of technical data and design of third party actuators. A sampling of the respective associated installation kit is therefore necessary in every case. The information on the compatibility of the installation kit is done so with reservations.

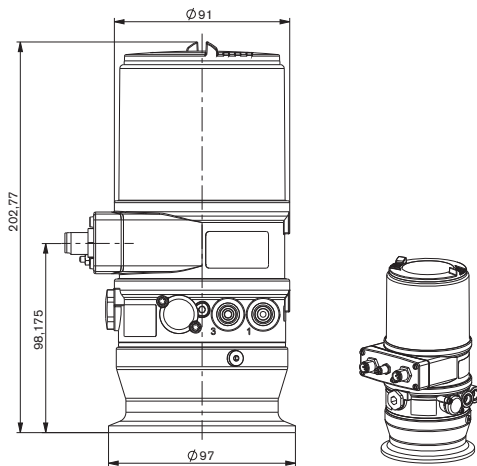
**Dimensions [mm]**

Bürkert installation kit suitable for GEA Tuchenhagen valves

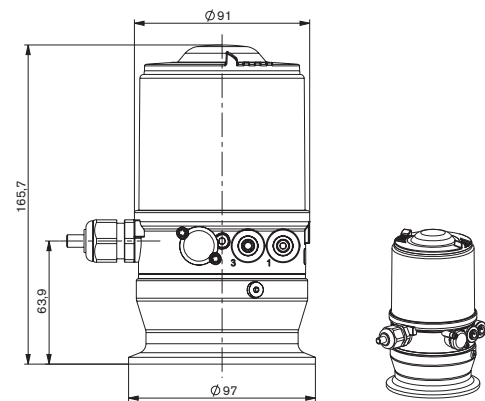
**T-Smart 7 / T-Smart 9  
Type 8681**



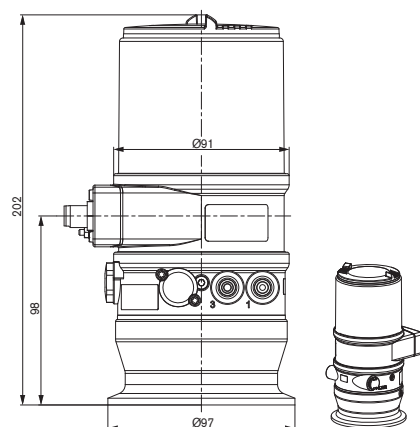
**Type 8692 and 8693**



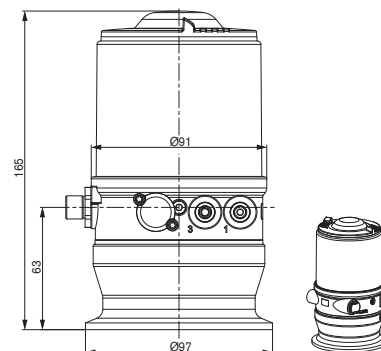
**Type 8691, 8694 and 8798 Remote**



**Varivent  
Type 8692 and 8693**



**Type 8691, 8694 and 8798 Remote**



**Other versions on request**

Note: Subject to alteration of technical data and design of third party actuators. A sampling of the respective associated installation kit is therefore necessary in every case. The information on the compatibility of the installation kit is done so with reservations.



**Ordering chart for installation kits (further versions on request)**

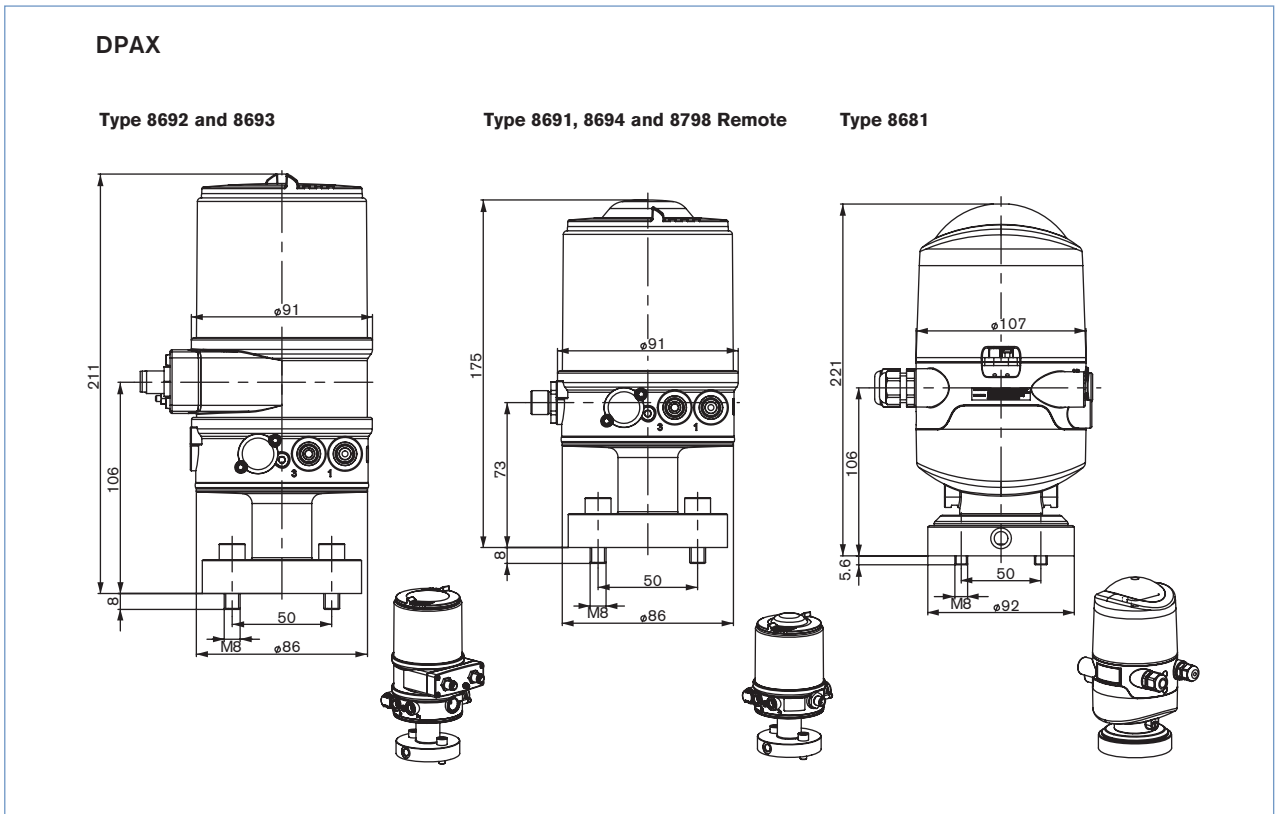
**Bürkert installation kit suitable for Definox valves**

Definox Series / Bürkert Type	DPAX	DCX3 / DCX4	DMAX
Type 8690	-	-	-
Type 8691	682 583	230 968	-
Type 8692	682 583	230 968	-
Type 8693	682 583	230 968	-
Type 8694	682 583	230 968	-
Type 8695	-	-	230 956
Type 8696	-	-	230 956
Type 8791/8798 remote	682 583	230 968	-
Type 8792/8793/8798 remote	682 583	230 968	-
flange pattern / control air routing	FA05/ external	FA05/ external	FA05/ external
Type 8681 *	682 517	230 970	-

\* for Type 8681 - control air supply: external air routing

**Dimensions [mm]**

**Bürkert installation kit suitable for Definox valves**



**Other versions on request**

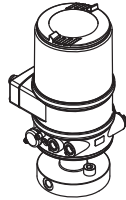
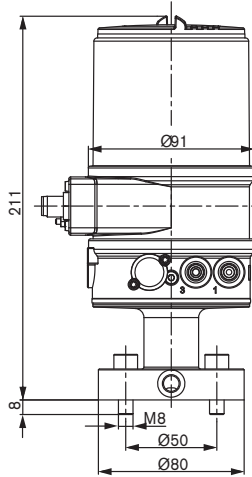
Note: Subject to alteration of technical data and design of third party actuators. A sampling of the respective associated installation kit is therefore necessary in every case. The information on the compatibility of the installation kit is done so with reservations.

Dimensions [mm]

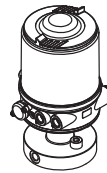
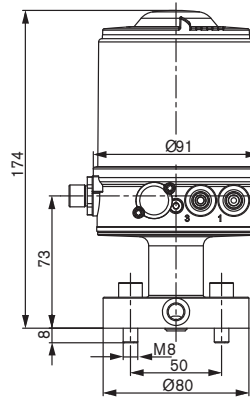
Bürkert installation kit suitable for Definox valves

DCX3 AND DCX4

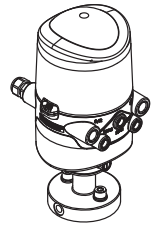
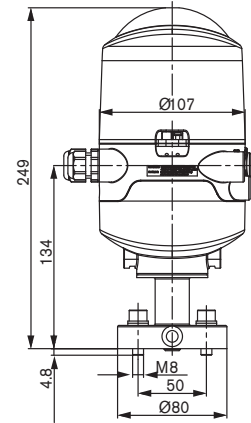
Type 8692 and 8693



Type 8691, 8694 and 8798

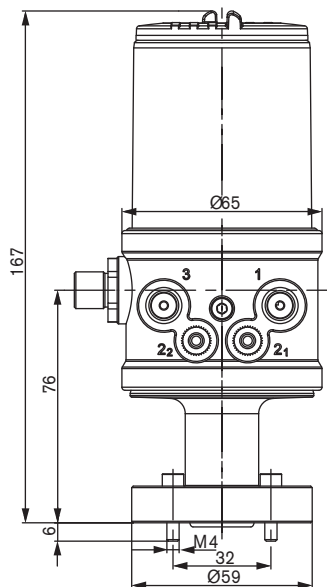


Type 8681



DMAX

Type 8695 and 8696



**Ordering chart for installation kits (further versions on request)**

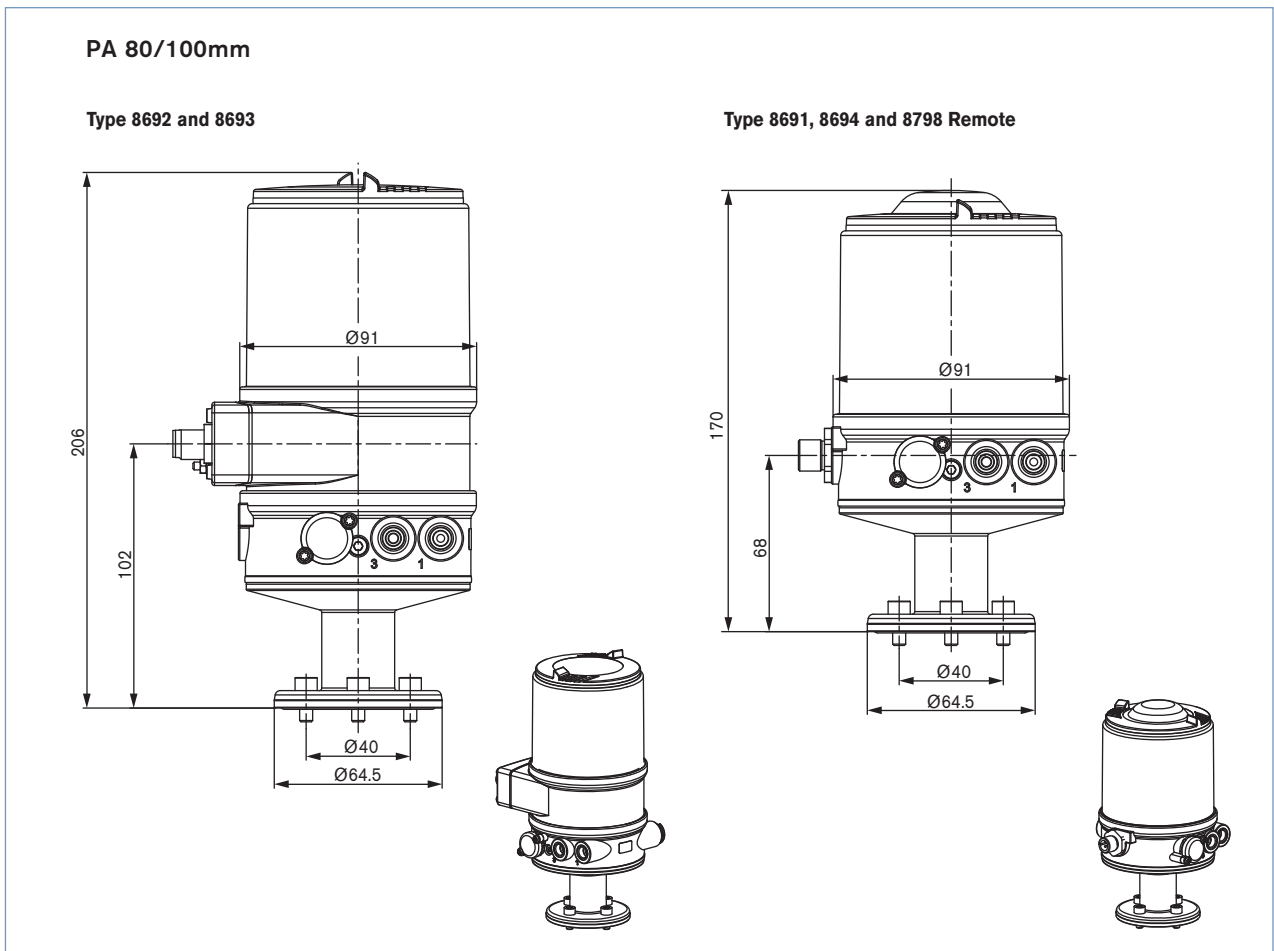
**Bürkert installation kit suitable for Aseptomag rotary drive**

Aseptomag Bürkert Type	PA Ø 50/60 mm	PA Ø 80/100 mm
Type 8690	-	-
Type 8691	230 984	230 984
Type 8692	230 984	230 984
Type 8693	230 984	230 984
Type 8694	230 984	230 984
Type 8695	673 735	-
Type 8696	673 735	-
Type 8791/8798 remote	230 984	230 984
Type 8792/8793/8798 remote	230 984	230 984
flange pattern / control air routing	FA05/ external	FA05/ external
Type 8681 *	-	230 985

\* for Type 8681 - control air supply: external air routing

**Dimensions [mm]**

**Bürkert installation kit suitable for Aseptomag rotary drive**



**Other versions on request**

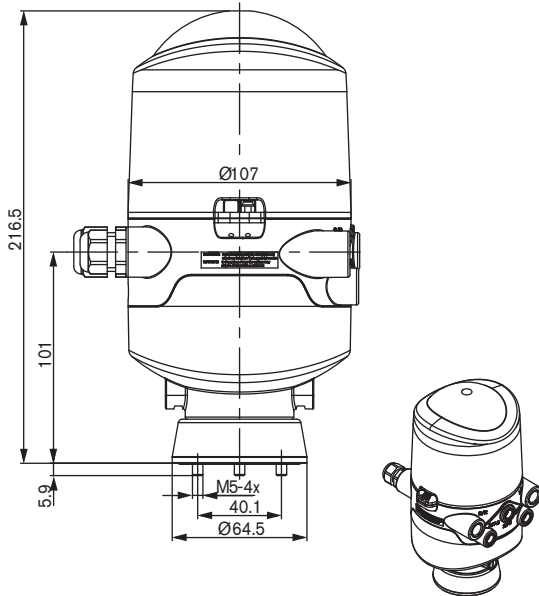
Note: Subject to alteration of technical data and design of third party actuators. A sampling of the respective associated installation kit is therefore necessary in every case. The information on the compatibility of the installation kit is done so with reservations.

Dimensions Bürkert

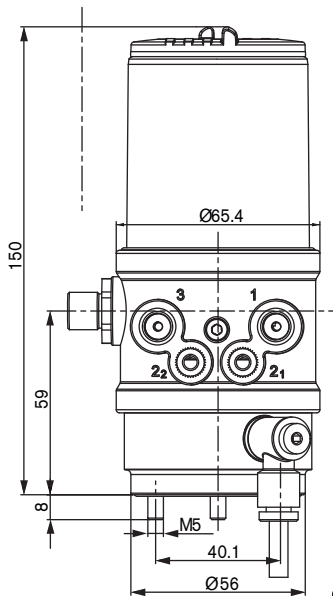
Installation kit suitable for Aseptomag rotary drive

PA 50/60mm

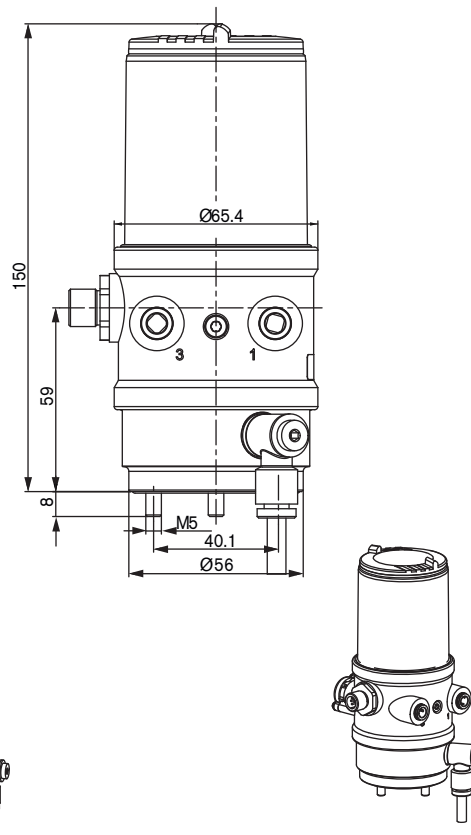
Type 8681



Type 8695



Type 8696



**Ordering chart for installation kits (further versions on request)**

**Bürkert installation kit suitable for APV / SPX Valves**

APV SPX Type / Bürkert Type	SV1 / SV1F Actuator size 85 mm	SW4
Type 8690	-	-
Type 8691	230 981	230 972
Type 8692	230 981	230 972
Type 8693	230 981	230 972
Type 8694	230 981	230 972
Type 8695	-	-
Type 8696	-	-
Type 8791/8798 remote	230 981	230 972
Type 8792/8793/8798 remote	230 981	230 972
flange pattern / control air routing	FA03/ internal	FA05/ external
Type 8681 *	230 992	230 966

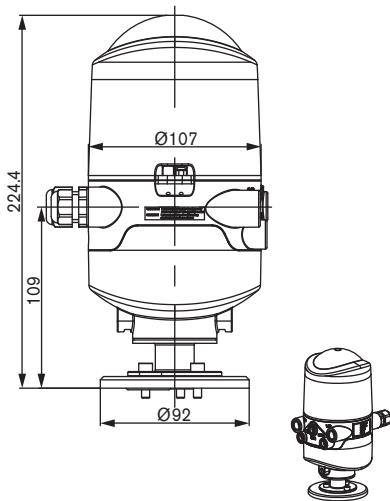
\* for Type 8681 - control air supply: external air routing

**Dimensions [mm]**

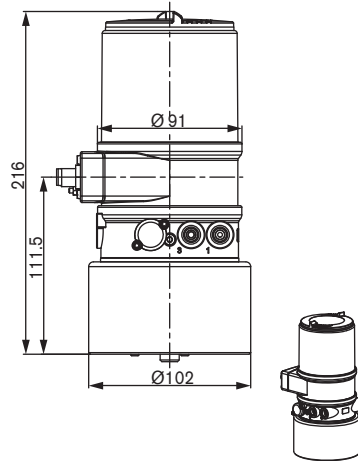
**Bürkert installation kit suitable for APV / SPX Valves**

**Bürkert installation kit suitable for APV / SPX valves SV1 / SV1F**

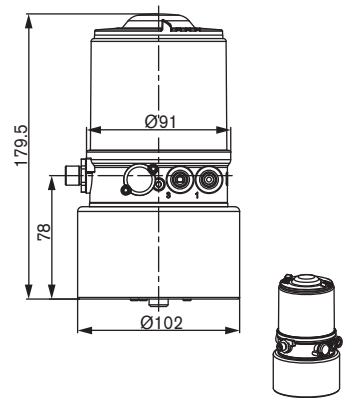
**Type 8681**



**Type 8692 and 8693**



**Type 8691 and 8694 Remote**



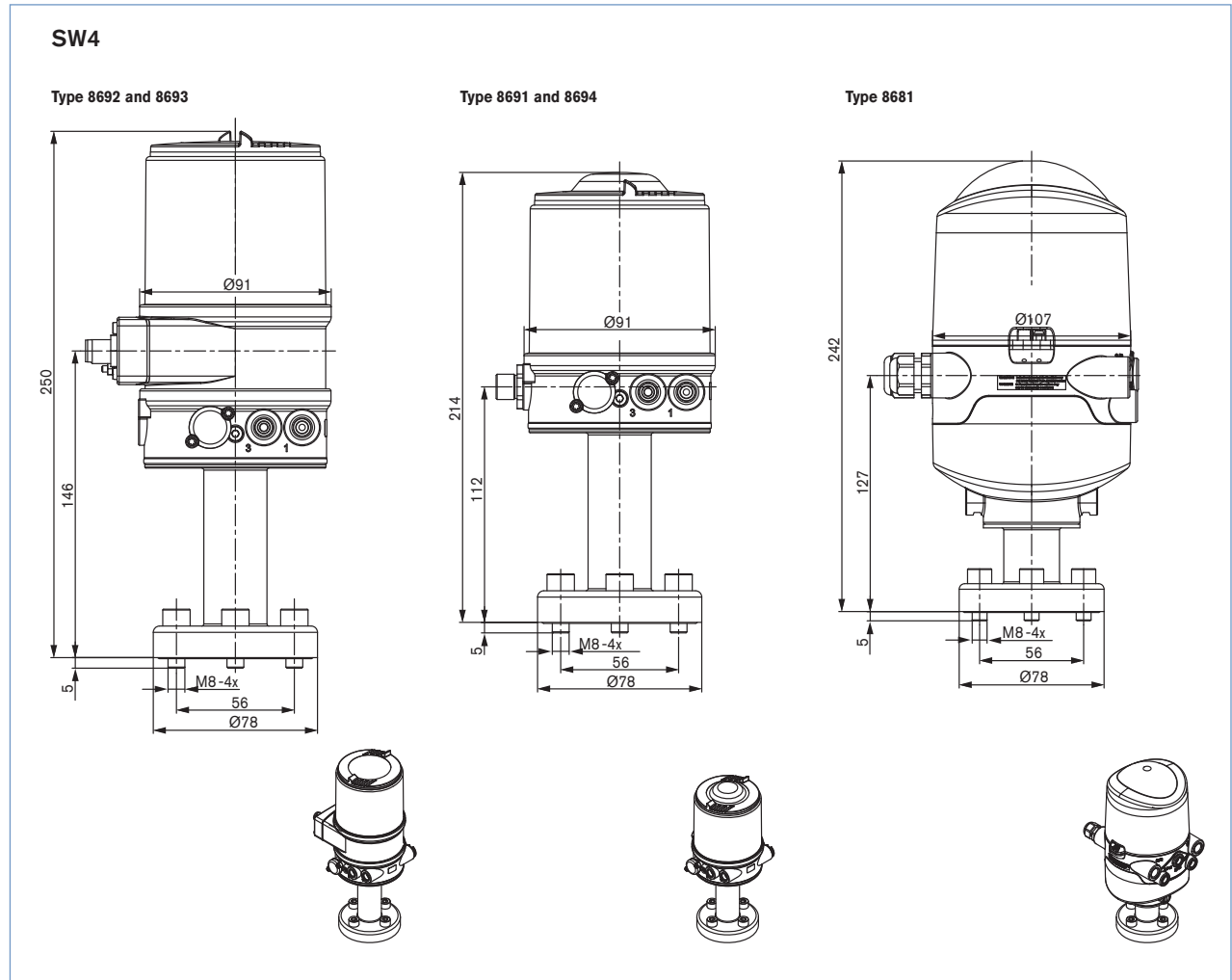
DTS 1000184481 EN Version: M Status: RL (released | freigegeben | valide) printed: 24.10.2016

**Other versions on request**

Note: Subject to alteration of technical data and design of third party actuators. A sampling of the respective associated installation kit is therefore necessary in every case. The information on the compatibility of the installation kit is done so with reservations.

Dimensions [mm]

Bürkert installation kit suitable for APV / SPX Valves



**Ordering chart for installation kits (further versions on request)**

**Bürkert installation kit suitable for Bardiani valves**

Bürkert Type	BBZPM	BBZPM	Mach 83 / 98	Mach 83 / 98	ZAW	ZAW	ZD90
Material	Stainless steel	6.6 PA	Stainless steel	6.6 PA	Stainless steel	6.6 PA	Stainless steel
Type 8690	-	-	-	-	-	-	-
Type 8691	682 640	230 986	682 639	230 971	230 980	230 977	245 909
Type 8692	682 640	230 986	682 639	230 971	230 980	230 977	245 909
Type 8693	682 640	230 986	682 639	230 971	230 980	230 977	245 909
Type 8694	682 640	230 986	682 639	230 971	230 980	230 977	245 909
Type 8695	-	-	-	-	-	-	-
Type 8696	-	-	-	-	-	-	-
Type 8791/8798 remote	682 640	230 986	682 639	230 971	230 980	230 977	Auf Anfrage
Type 8792/8793/8798 remote	682 640	230 986	682 639	230 971	230 980	230 977	Auf Anfrage
flange pattern / control air routing	FA05/external	FA05/external	FA05/external	FA05/external	FA05/external	FA05/external	FA05/external
Type 8681*	683 478	-	on request	-	on request	-	246 082

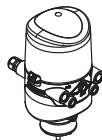
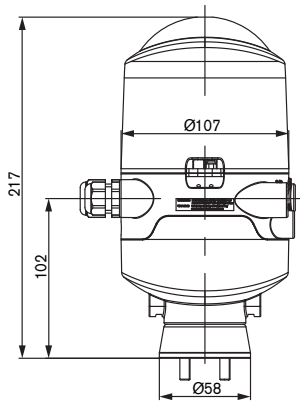
\* for Type 8681 - control air supply: external air routing

**Dimensions [mm]**

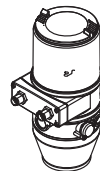
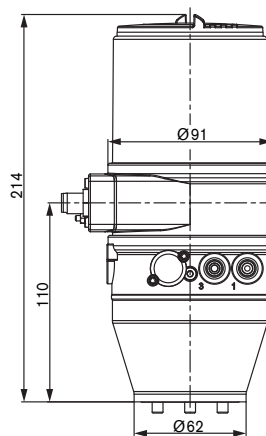
**Bürkert installation kit suitable for Bardiani valves**

**BBZPM, ZAW and Mach 83/93**

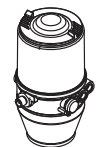
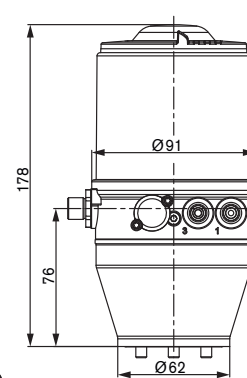
**Type 8681**



**Type 8692 and 8693**



**Type 8691 and 8694 Remote**

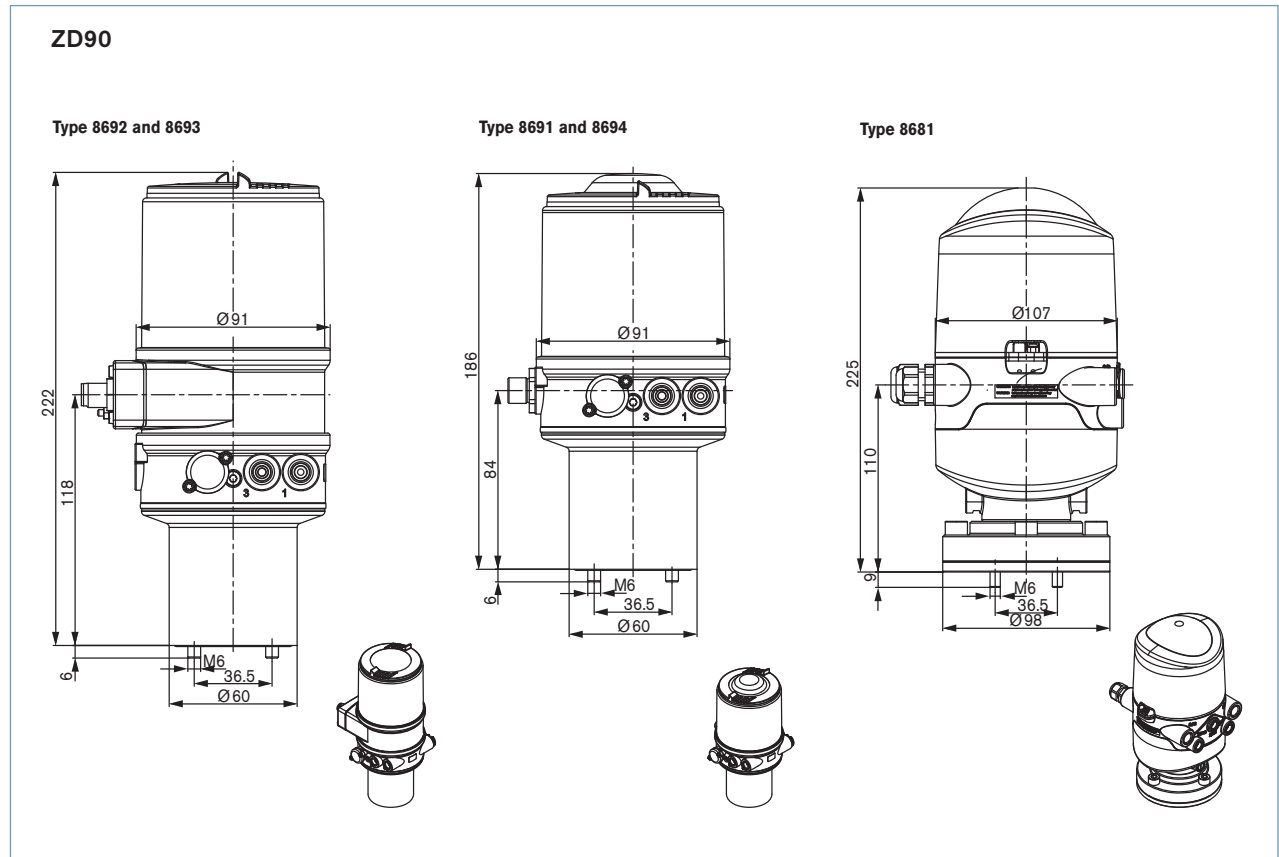


**Other versions on request**

Note: Subject to alteration of technical data and design of third party actuators. A sampling of the respective associated installation kit is therefore necessary in every case. The information on the compatibility of the installation kit is done so with reservations.

Dimensions [mm]

Bürkert installation kit suitable for Bardiani valves





**Bestelltablelle for installation kits (weitere Ausführungen auf Anfrage)**

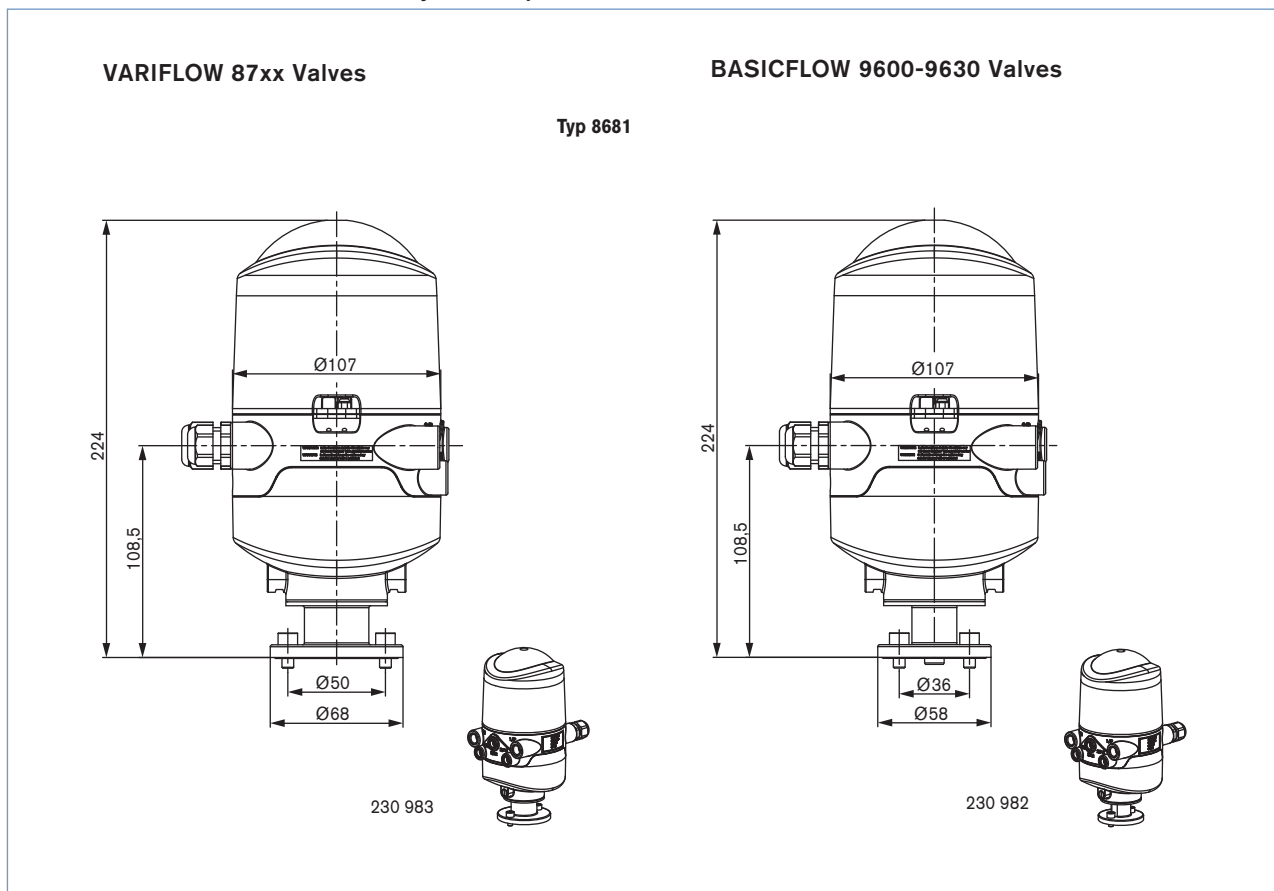
Bürkert installation kit suitable for Tyco Hovap valves

Tyco Hovap Bürkert Type	BASICFLOW SERIE 9600- 9630	VARIFLOW SERIE 87XX
Type 8690	-	-
Type 8691	-	-
Type 8692	-	-
Type 8693	-	-
Type 8694	-	-
Type 8695	-	-
Type 8696	-	-
Type 8791/8798 remote	-	-
Type 8792/8793/8798 remote	-	-
flange pattern / control air routing	FA05/ex- ternal	FA05/ex- ternal
Type 8681*	230 982	230 983

\* for Type 8681 - control air supply: external air routing

**Abmessungen [mm]**

Bürkert installation kit suitable for Tyco Hovap valves



**Other versions on request**

Note: Subject to alteration of technical data and design of third party actuators. A sampling of the respective associated installation kit is therefore necessary in every case. The information on the compatibility of the installation kit is done so with reservations.

**Ordering chart for installation kits (further versions on request)**

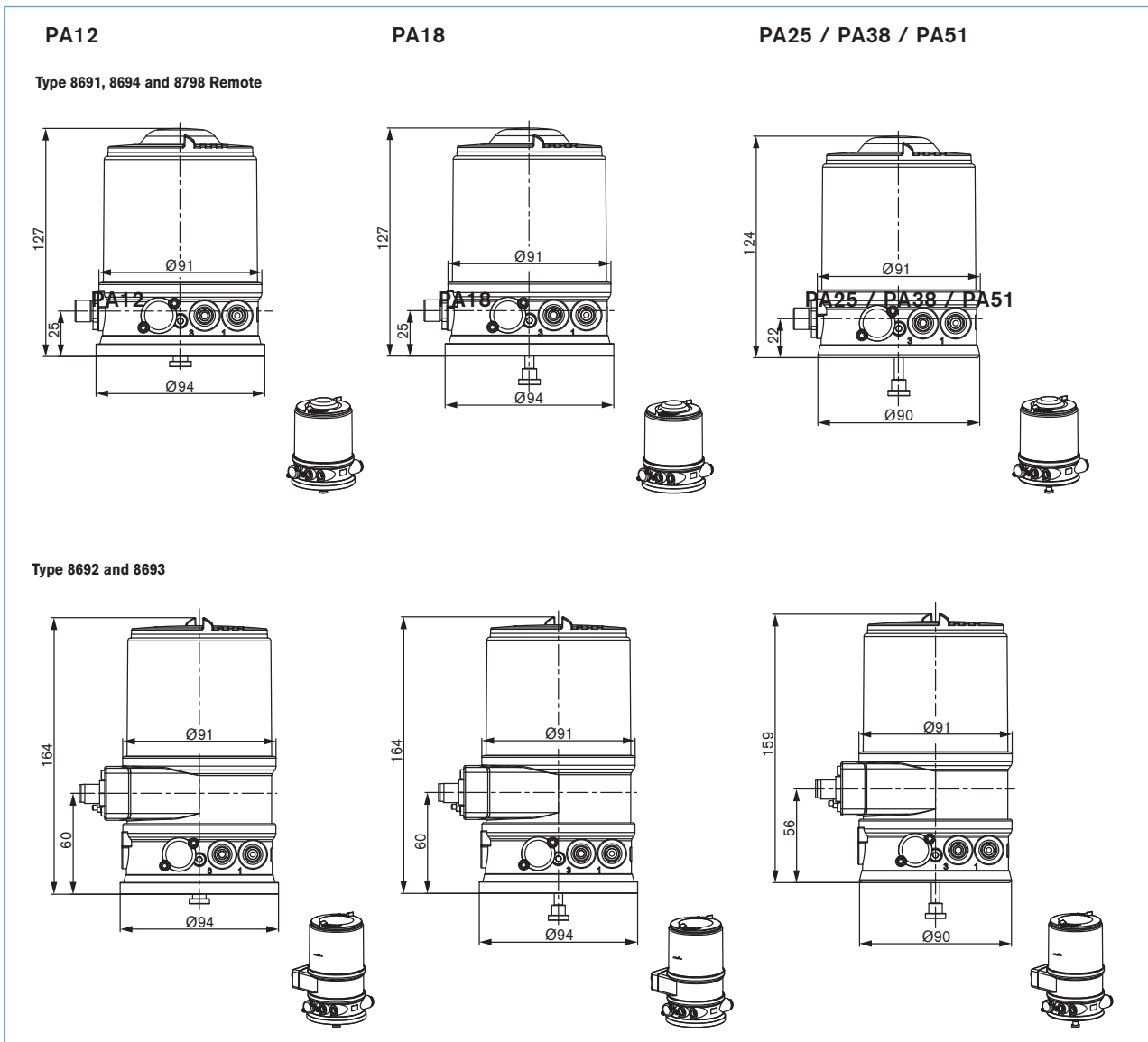
**Bürkert installation kit suitable for Millipore NovAseptic valves**

Type Bürkert Type	Nov- Aseptic PA12	Nov- Aseptic PA18	Nov- Aseptic PA25	Nov- Aseptic PA38	Nov- Aseptic PA51
Type 8690	-	-	-	-	-
Type 8691	235 328	235 355	235 329	235 329	235 329
Type 8692	235 328	235 355	235 329	235 329	235 329
Type 8693	235 328	235 355	235 329	235 329	235 329
Type 8694	235 328	235 355	235 329	235 329	235 329
Type 8695	-	-	-	-	-
Type 8696	-	-	-	-	-
Type 8791/8798 remote	235 328	235 355	235 329	235 329	235 329
Type 8792/8793/8798 remote	235 328	235 355	235 329	235 329	235 329
flange pattern / control air routing	FA05/external	FA05/external	FA05/external	FA05/external	FA05/external
Type 8681*	-	-	-	-	-

\* for Type 8681 -  
control air supply:  
external air routing

**Dimensions [mm]**

**Bürkert installation kit suitable for Millipore NovAseptic valves**



**Other versions on request**

Note: Subject to alteration of technical data and design of third party actuators. A sampling of the respective associated installation kit is therefore necessary in every case. The information on the compatibility of the installation kit is done so with reservations.

**Ordering chart for installation kits (further versions on request)**

**Bürkert installation kit suitable for Kieselmann valves**

Kieselmann Type / Bürkert Type	Pneumatic actuator PA Ø 160	Pneumatic rotary drive PDA Ø 75	Pneumatic rotary drive PDA Ø 100
Type 8690	-	-	-
Type 8691	681 705	on request	on request
Type 8692	681 705	on request	on request
Type 8693	681 705	on request	on request
Type 8694 **	681 705	673 745	673 717
Type 8695	-	-	-
Type 8696	-	-	-
Type 8791/8798 remote	681 705	on request	on request
Type 8792 /8793 / 8798 remote	681 705	on request	on request
flange pattern / control air routing	FA05 / external	FA03 / internal	FA03 / internal
Type 8681 *	245 852	-	-

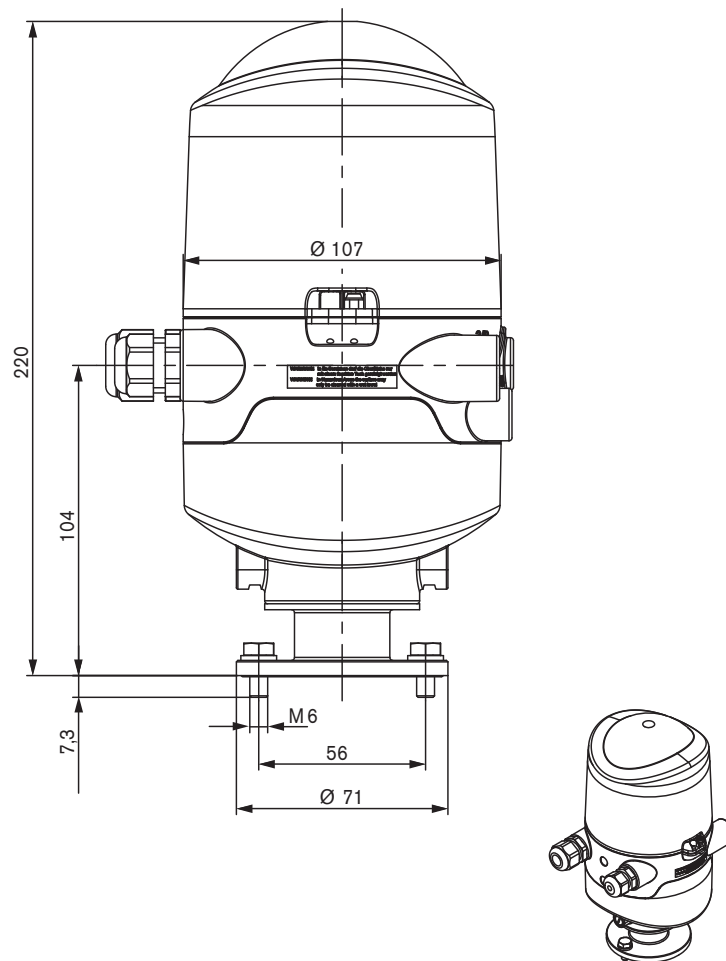
\* control air supply: external air routing \*\* Special version for rotary actuators

**Dimensions [mm]**

**Bürkert installation kit suitable for Kieselmann valves**

**Pneumatic Actuator PA Ø 160**

**Type 8681**



DTS 1000184481 EN Version: M Status: RL (released | freigegeben | valide) printed: 24.10.2016

**Other versions on request**

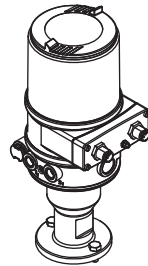
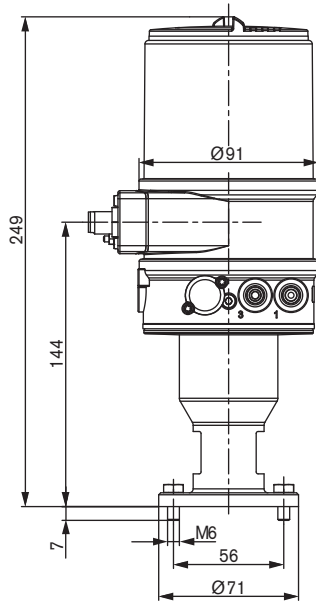
Note: Subject to alteration of technical data and design of third party actuators. A sampling of the respective associated installation kit is therefore necessary in every case. The information on the compatibility of the installation kit is done so with reservations.

Dimensions [mm]

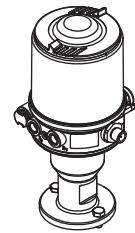
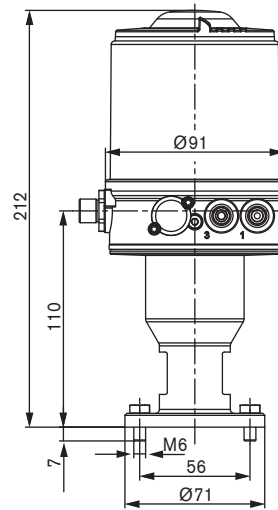
Bürkert installation kit suitable for Kieselmann valves

Pneumatic Actuator PA Ø 160

Type 8692/8693



Type 8691/8694



Other versions on request

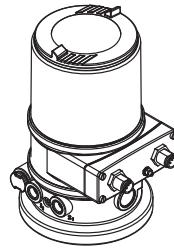
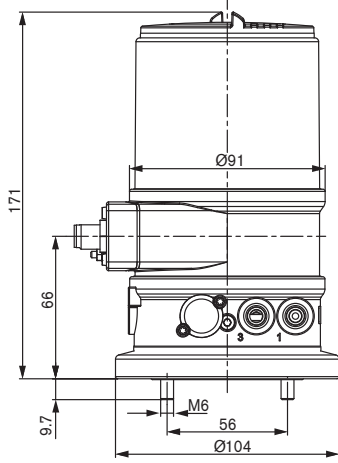
Note: Subject to alteration of technical data and design of third party actuators. A sampling of the respective associated installation kit is therefore necessary in every case. The information on the compatibility of the installation kit is done so with reservations.

**Dimensions [mm]**

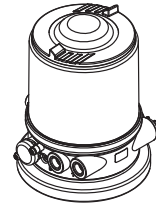
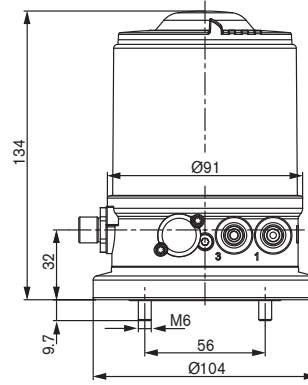
Bürkert installation kit suitable for Kieselmann valves

**Pneumatic Rotary Drive PA Ø 75 and Ø 100**

Type 8692/9693

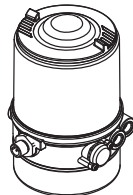
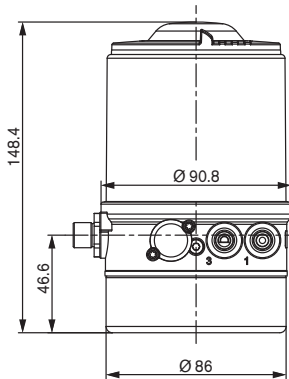


Type 8691, 8694 and 8798 Remote

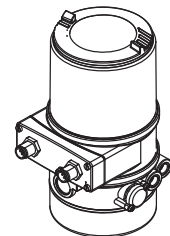
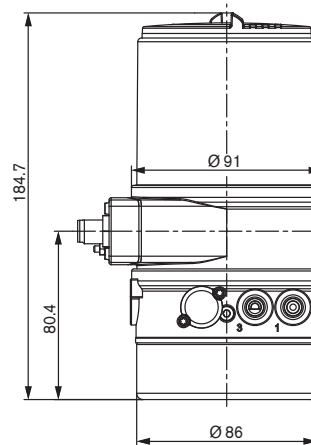


**Pneumatic Rotary Drive  
PDA Ø 100**

Type 8691, 8694 and 8798 Remote



Type 8692/8693



To find your nearest Bürkert facility, click on the orange box → [www.burkert.com](http://www.burkert.com)

In case of special application conditions,  
please consult for advice

Subject to alteration.  
© Christian Bürkert GmbH & Co. KG

1607/13\_EU-en\_00895227

**Other versions on request**

Note: Subject to alteration of technical data and design of third party actuators. A sampling of the respective associated installation kit is therefore necessary in every case. The information on the compatibility of the installation kit is done so with reservations.