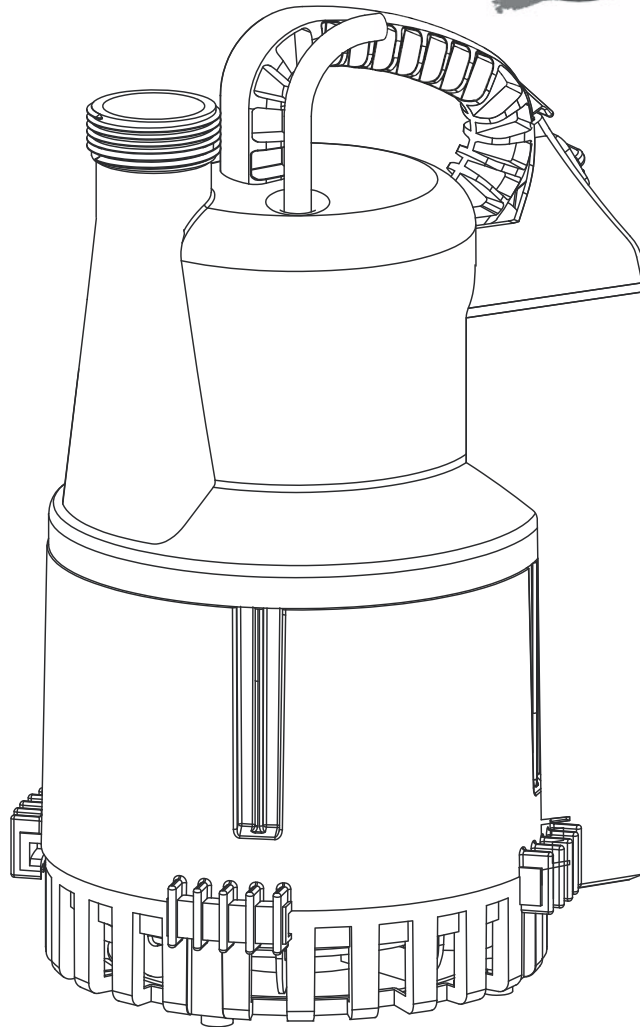


ABS Robusta light drainage pump

1081-01



15970230GB (1/2008)



Installation and Operating Instructions

Starting and operating instructions



ABS light drainage pump Robusta

1 200 300

Example of rating plate

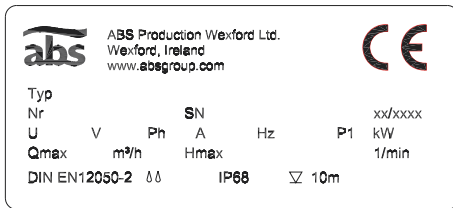


Figure 1 Nameplate Standard Version

Legend

Typ	Pump type	n	Speed	min-1
Nr./SN	Item No./Serial No.	Qmax	Max. Flow	m ³ /h
xx/xxxx	Production date (Week/Year)	Hmax	Max. Head	m
UN	Rated Voltage V	♦♦	Water pressure tight	
IN	Rated Current A	IP 68	Protection type	
	Frequency Hz	∇	Max submersible depth	m
P1N	Rated Input Power			
				kW

Application

The submersible waste-water pumps of the Robusta series are reliable quality products designed for the following applications:

- Pumping of clear water.
- Pumping of rain water.
- Pumping of waste-water with a maximum solids content of 0.5%

These pumps should not be used for the pumping of faecal matter.



The pump must not be used in an explosive or flammable environment or for pumping flammable liquids

The pumps conform to the EU machine directive. See rating plate. The manufacturer guarantees that a new pump will not emit airborne noise in excess of 70 dB(A) during normal operation, when either fully or partially submerged.



The pump must not be run if it has been partially dismantled.

Electrical connections

The pump must be connected to terminals or starting equipment installed at a level at which the pump cannot be flooded.



All electrical equipment must always be earthed (grounded). This applies both to pump and to any monitoring equipment.



The electrical installation must conform to national and local regulations.

Check that the mains voltage, frequency, starting equipment and method of starting agree with the particulars stamped on the motor rating plate. The unit should be protected by a correctly dimensioned slow blow fuse (suitable for the rated power of the pump). We recommend the use of an overload relay. The electrical installation shall be inspected by an authorized electrician

Operation

Before commencing operations, the pump/pump station should be examined and a function check carried out. Particular attention should be paid to the following:

- Check that the power cable and plug are undamaged.
- Does the electrical connection comply with regulations?
- Is the motor overload correctly set?
- Is the level control system operating correctly?
- Are the switch On switch Off levels correctly set?



The installation instructions for pumps intended to be used in outdoor fountains, garden ponds and similar places shall state that the pump is to be supplied through a residual current device (RCD) having a rated residual Operating current not exceeding 30 mA.

Service and Maintenance



Before any work is started, check that the pump is isolated from the power supply and cannot be energized.

Regular inspection and preventive maintenance will ensure more reliable operation. The pump should be inspected every six months, but more frequently if the operating conditions are difficult.

However, should a fault occur, do not attempt to improvise but call on your ABS Service Centre. This applies particularly in the case where the unit is continually switched off by the current overload in the control panel, or by the thermal sensors of the thermo-control-system.

For a complete overhaul of the pump, please get in touch with an authorized ABS workshop or your ABS dealer.

If the pump is taken out of service in order to prevent deposition of soil or other materials, the pump should be cleaned by pumping clear water.

If there are leaves or fibrous matter in the medium being pumped we recommend that the inlet screen be cleaned from time to time. Inlet screen is opened by turning it out of the bayonet connection and then removing it. The cleaned screen and o-ring are placed on the pump and locked by turning it to the left.

- TS-version, withdraw the float housing to the right from the pump.
- Remove float. Clean all parts.
- Replace the float with it's rounded flat edges facing into the float housing.
- Replace the float housing on the pump housing.
- When pressing on the float housing it is necessary that the change-over switch "HAND AUTOMATIC" be in the lower position.
- Press the selector switch upwards and check the pump at setting "HAND".
- KS-version, clean float

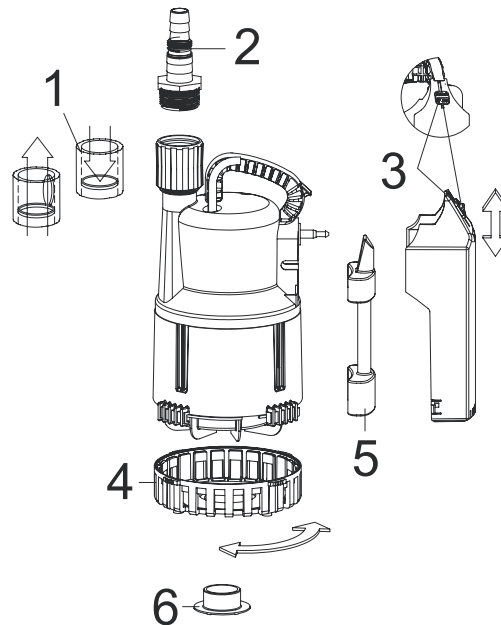


Figure 2 Robusta Assembly

Legend

- 1 Non-return valve
- 2 Discharge line connection
- 3 HAND AUTO selector switch
- 4 Inlet screen
- 5 Level control
- 6 Suction ring (Also see page before declaration of conformity)

Transport

During transport the unit should not be dropped or thrown.



The unit should never be raised or lowered by the Power cable.

A handle is provided for transport. If necessary, it is possible to suspend the pump by attaching a rope or chain to the handle.

Particular application conditions



In the case of submersible pumps of the Protection Type 1 (such as the Robusta series) all accessible metal parts are connected to the earth lead. Before operation a qualified person should check that the earth lead is correctly connected.



For the usage of pumps to Protection Type 1 IEC 335-2-41:1984 Mod.1 1990 applies. Pumps of protection type 1 for use in swimming pools or garden ponds must be fitted with an earth leakage circuit breaker (30mA) in the incoming power line. The pump must never be used if people are in the pools or tanks.



Pumps for use in swimming pools where people are present must only use pumps to Protection Type III with a voltage not greater than 12V.

NOTE

Suitable earth leakage protection devices are available from electrical suppliers. Please consult your electrician.

Safety

(Extracted from VDMA-Standard sheet 24292)

These operating instructions contain basic information on the erection, operating and maintenance and should be followed carefully. For this reason it is essential that these instructions are carefully read before erection or commissioning by both the installation crew as well as those responsible for operation or maintenance. The operating instructions should always be readily available at the location of the unit.

In addition to following the safety regulations of a general nature listed under these main headings, it is also essential that the special safety instructions given under other headings be observed.

Identification of hints in the operating instructions



Safety instructions given in this operating manual, the non-observance of which could cause danger to life have been specifically high-lighted with the general danger symbol. (See DIN 4844-W9).



The presence of a dangerous voltage is identified with the safety symbol. (See DIN 4844-W8).

ATTENTION

Applies to safety instructions, the non-observance of which could damage the unit or effect it's functioning.

Symbols directly on the unit itself, e.g.

- Direction of rotation arrow
- Nameplate

must be carefully observed and must be maintained in a legible condition.

Dangers which could arise due to non-observance of safety instructions

The non-observance of the safety instructions can lead to both danger to personnel and also to possible harm to the environment or the unit itself. Non-observance of the safety instructions can invalidate the rights of the user to any compensation or regress.

In detail, non-observance can for example result in the following dangers:

- Failure of important functions of the unit/installation
- Danger to personnel by electrical, mechanical or chemical influences
- Danger to the environment by leakage of dangerous substances

NOTE

Carry out work in a safety conscious manner

The safety instruction listed in this operating manual, the existing National Regulations for safety, as well as any internal operating or safety regulations which apply in the user's own premises must be observed.

Safety Regulations for the Owner/ Operator

All dangers due to electricity must be avoided (for details consult the Regulations of your local Electricity Supply Company).

Safety Regulations for maintenance, inspection and installation work

The user of the unit should ensure that all maintenance, inspection or installation work is carried out by authorised and qualified skilled personnel. The user must also make certain that they have carefully studied the operating instructions. In principle all work on the unit should only be carried out while it is stationary. Pumps or units, used for pumping of fluids which could be injurious to health must be decontaminated. After completion of the work all safety and protective devices must be refitted and a check should be made that they are fully functional. Before starting up again, the points listed under the section commissioning should be complied with.

Unilateral modification and spare parts manufacturing

Modifications or changes to the unit/installation should only be carried out after consultations with the manufacturer. Original spare parts and accessories authorised by the manufacturer are essential for compliance with safety requirements. The use of other parts can invalidate any claims for warranty or compensation

Unproven usage

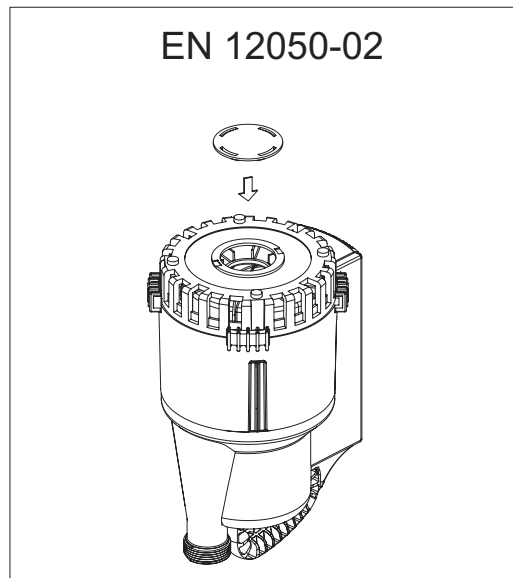
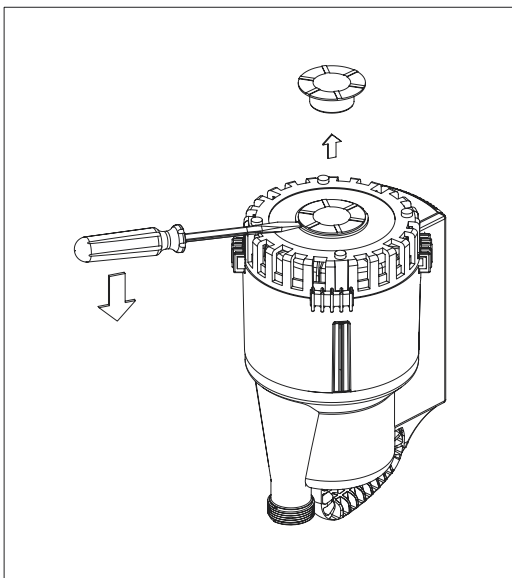
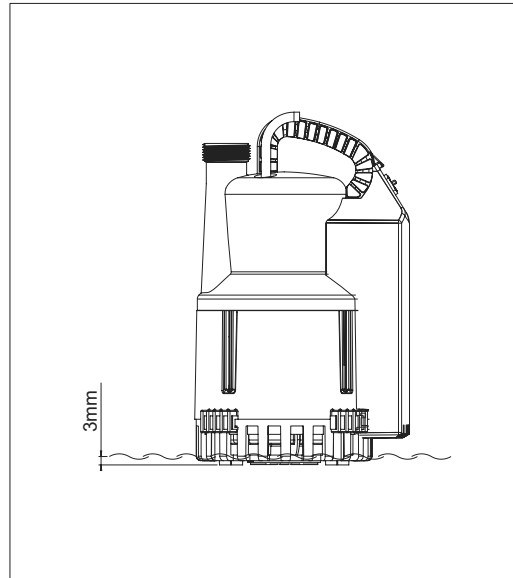
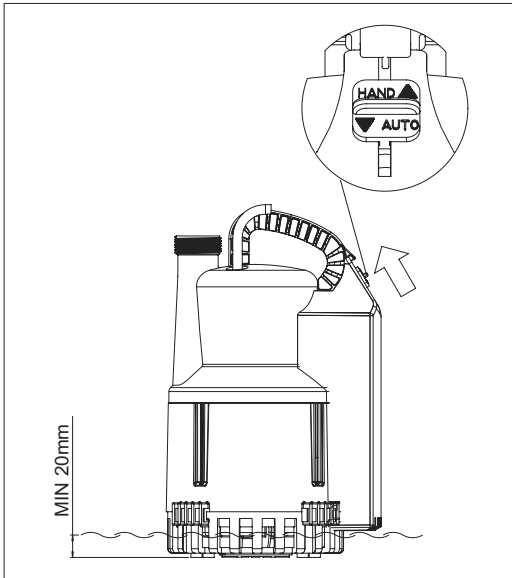
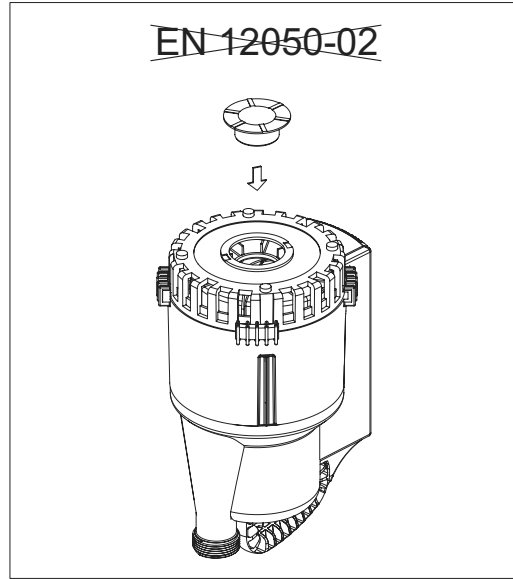
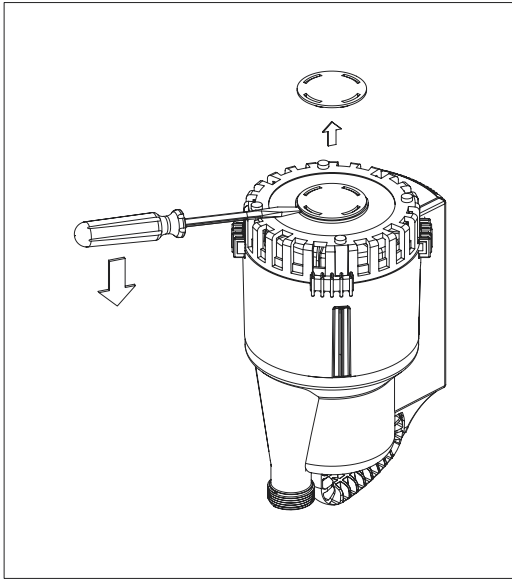
The operating safety of the unit is only guaranteed provided that the unit is used in accordance with the section 1. The limit values given in the data sheet should under no circumstance be exceeded.

These installation and operation instructions do not supersede or exclude the following of generally valid regulation and standards.

VDMA=Verband Deutscher Maschinen- und Anlagebau e.V.
(German Machinery Manufacturers Association)



End of life units can be returned to ABS or recycled in accordance with local regulations.



Declaration of conformity

As defined by: Machinery Directive 98/37/EC, EMC-Directive 2004/108/EC, Low Voltage Directive 2006/95/EC, Construction Directive 89/106/EC

GB: Declaration of conformity	NL: Overeenkomstigheidsverklaring	HU: Megfelelőségi nyilatkozat
DE: Konformitätserklärung	SE: Försäkran om överensstämmelse	GR: Δήλωση εναρμόνισης
FR: Déclaration de Conformité	NO: Samsvarserklæring	ET: Vastavusdeklaratsioon
ES: Declaración de Conformidad	DK: Overensstemmelseserklæring	CZ: Prohlášení o shodě
PT: Declaração de conformidade	FI: Vaatimustenmukaisuusvakuutus	SI: Izjava o skladnosti
IT: Dichiarazione di conformità	PL: Deklaracja zgodności	SK: Vyhlásenie o zhode

ABS Production Wexford Ltd, Clonard Road, Wexford, IRELAND

GB: Declare under our sole responsibility that the products	DK: Erklærer på eget ansvar, at følgende produkter
DE: Erklärt eigenverantwortlich, daß die Produkte	FI: Vakuutamme yksinomaan omalla vastuullamme, että seuraavat tuotteet
FR: Déclarons sous notre seule responsabilité que les produits	PL: Deklaruje z pełną odpowiedzialnością, że urządzenia typu
ES: Declaramos bajo nuestra exclusiva responsabilidad que los productos	HU: Felelősségünk teljes tudatában kijelentjük, hogy a termékek
PT: Declaramos sob nossa única responsabilidade que os produtos	GR: Δήλονοyme με αποκλειστική μω ευθύνη ότι τα προϊόντα
IT: Dichiariamo sotto la nostra esclusiva responsabilità che i prodotti	ET: Deklareerime ainuvastutajana, et tooted
NL: Verklaaren geheel onder eigen verantwoordelijkheid dat de producten	CZ: Prohlašuje na vlastní odpovědnost, že výrobky
SE: Försäkrar under eget ansvar att produkterna	SI: Izjavljamo, da so z našo izključno odgovornostjo izdelki
NO: Erklærer på eget ansvar, at følgende produkter	SK: Vyhlasujeme na našu zodpovednosť, že výrobky

Products:


ABS light drainage pump Robusta 1/200/300

GB: To which this declaration relates are in conformity with the following standards or other normative documents	DK: Som er omfattet af denne erklæring, er i overensstemmelse med følgende standarder eller andre normative dokumenter
DE: Auf die sich diese Erklärung bezieht, den folgenden und/oder anderen normativen Dokumenten entsprechen	FI: Joihin tämä vakuutus liittyy, ovat seuraavien standardien sekä muiden sääntöamärrävien asiakirjojen mukaisia
FR: Auxquels se réfère cette déclaration sont conformes aux normes ou à d'autres documents normatifs	PL: Do których odnosi się niniejsza deklaracja są zgodne z następującymi normami lub innymi dokumentami normatywnymi.
ES: Objeto de esta declaración, están conformes con las siguientes normas u otros documentos normativos	HU: Amelyekre ez a nyilatkozat vonatkozik, megfelelnek a következőszabványokban és egyéb szabályozó dokumentumokban leírtaknak.
PT: Aque se refere esta declaração está em conformidade com as Normas ou outros documentos normativos	GR: Τα οποία αφορά η παρούσα δήλωση είναι σύμφωνα με τα ακόλουθα και/ή άλλα πρότυπα κανονιστικά έγγραφα
IT: Ai quali questa dichiarazione si riferisce sono conformi alla seguente norma o ad altri documenti normativi	ET: Mida käespröev deklaratsioon puudutab, on vastavuses järgmiste standardite ja muude normatiivdokumentidega.
NL: Waarop deze verklaring betrekking heeft, in overeenstemming zijn met de volgende normen of andere normatieve documenten	CZ: Na které se toto prohlášení vztahuje, jsou v souladu s následujícími normami nebo jinými normativními dokumenty.
SE: Som omfattas av denna försäkran är i överensstämmelse med följande standarder eller andra regelgivande dokument	SI: Na katere se ta izjava nanaša, skladni z naslednjimi standardi ali drugimi normativnimi dokumenti.
NO: Som dekkes av denne erklæringen, er i samsvar med følgende standarder eller andre normative dokumenter	SK: Na ktoré sa vzahuje toto vyhlásenie, zodpovedajú nasledujúcim štandardom a iným záväzným dokumentom.

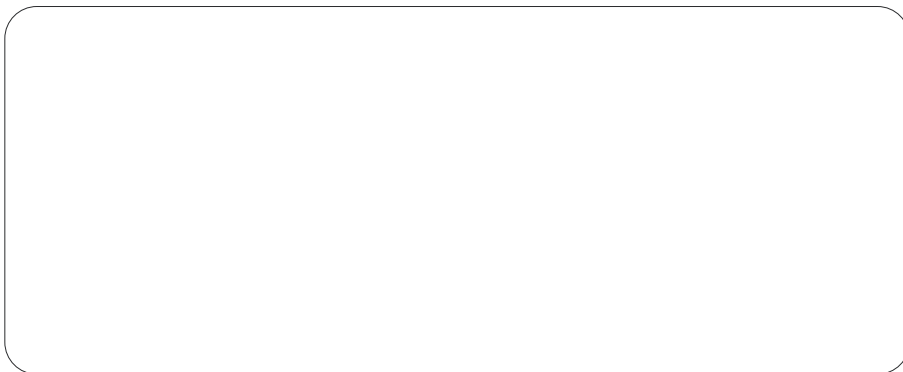
Robusta 200/300 = DIN EN 12050-2, EN 60335, EN ISO 12100-1 & EN ISO 12100-2, EN 809, EN 61000-6

Robusta 1 = EN 60335, EN ISO 12100-1 & EN ISO 12100-2, EN 809, EN 61000-6

05-11-2008



Sean Roche
ABS Production Wexford Ltd.



ABS Production Wexford Ltd., Clonard Road, Wexford, Ireland
Tel. +353 53 91 63 200 Fax +353 53 91 42335. www.absgroup.com