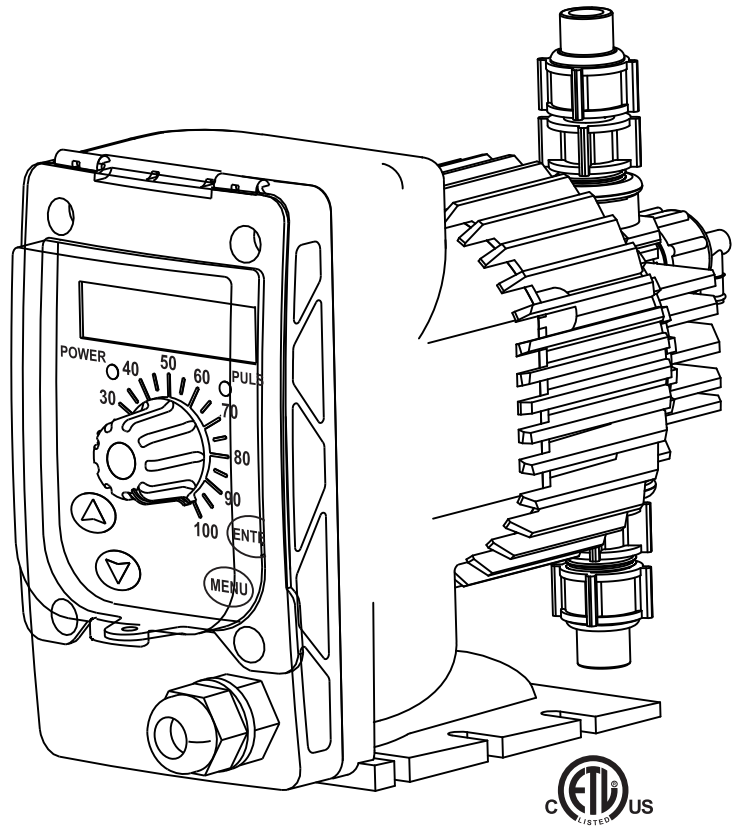


# MicroTron

## Series A

Chemical Metering Pump

### *Menu Driven Flexibility*



## Key Features

- Dual Output Adjustment
- NEMA 4X Style Enclosure
- LED Backlit Display
- Optional Control Functions
- LED Indicating Lights
- Guided Double Ball Checks
- Priming / Degassing Valve
- Splash Cover Over Controls
- 2 Year Warranty

## Application

MicroTron Series A metering pumps provide reliable, flexible chemical addition for a wide variety of applications.

Metering accuracy is achieved with microprocessor controlled menu adjustable speed and double ball guided checks. A rugged thermoplastic NEMA 4X style housing allows for outdoor installations.

Series A pumps are available in outputs up to 55 GPD and 250 PSI. The manual stroke length and menu speed adjustment provides the widest turn down capability.

# Build a Model

## Model A \_\_\_\_\_ - \_\_\_\_\_

Build your model number by selecting one code from each step. Example: A130X1-PVC1

### STEP 1 .....OUTPUT (MAXIMUM)

- 115 = 15 GPD / 2.37 LPH at 150 PSI (10.3 bar)
- 130 = 30 GPD / 4.70 LPH at 110 PSI (7.5 bar)
- 155 = 55 GPD / 8.67 LPH at 75 PSI (5.1 bar)
- 217 = 17 GPD / 2.60 LPH at 250 PSI (17.2 bar)

### STEP 2 .....CONTROL OPTIONS

- X = Standard
- M = 4-20 mA Input to control stroke speed
- N = Percent Timer 10 to 30 minute cycle
- P = Pulse Timer or Multiply / Divide Pulses
- T = 28-Day Biocide Timer

### STEP 3 .....VOLTAGE

- 1 = 120 Volt USA Plug (Standard)
- 2 = 240 Volt
- 3 = 240 Volt Specified Plug

### STEP 4 .....HEAD MATERIAL

- P = Polypropylene
- K = Kynar
- V = PVC
- S = Stainless

### STEP 5 .....SEAT MATERIAL

- V = Viton
- F = Teflon
- H = Hypalon

### STEP 6 .....CHECK BALL

- C = Ceramic (Standard)
- S = Stainless

### STEP 7 .....CONNECTIONS

- 1 = 3/8" (9.525 mm) Tubing - 110 & 150 psi
- 2 = 1/4" (6.35 mm) Tubing - 250 psi
- 3 = 3/8" (9.525 mm) Tubing - 250 psi
- P = 1/4" (6.35 mm) MNPT Connections
- V = 3/8" (9.525 mm) Vinyl Suction Tubing - 110 or 250 psi

For other options, see Price List or consult factory.

## Accessories

Standard models include everything needed for immediate start-up: injection, foot and priming valve assemblies plus suction and discharge tubing.

# Specifications

## Electrical

- **Input:** 120 VAC or 240 VAC @ 50/60 Hz

## Operational

- **Stroke length adjustment** - 10-100%
- **Stroke frequency** - Can be set from 1-125 strokes/minute or 1-125 strokes/hour on 15, 30 & 17 GPD models and 1-160 on 55 GPD.

## Optional Timers

- **Pulse:** 0-59 min, 0-59 sec w/accumulator
- **Percent:** 0-99% of 10-30 minutes
- **Biocide:** 28 Day

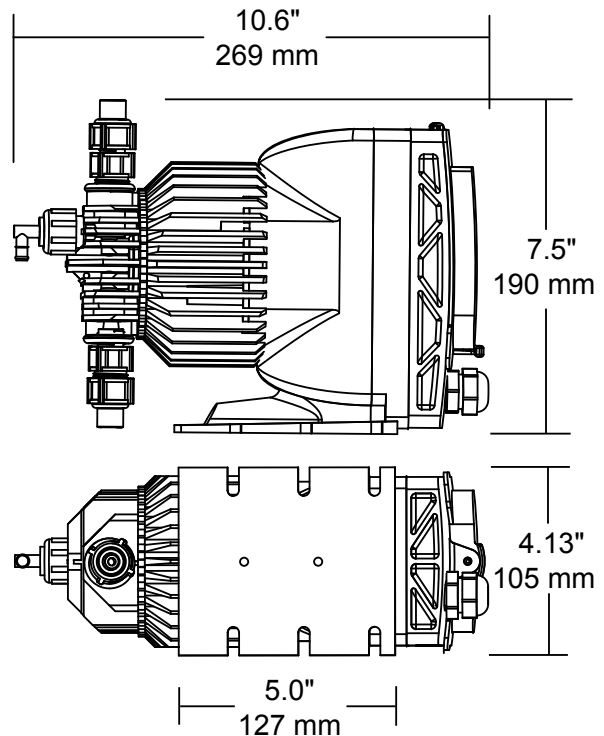
## Enclosure

Heavy duty NEMA 4X style high impact thermoplastic with clear lexan cover.

## Environment

Ambient temperature: 32° to 140°F (0°C to 60°C)  
Relative humidity: 0 to 100%

**Shipping Weight:** Approximately 10 lbs. (4.536 kg)



**Get the Advantage**



4700 Harold Abitz Dr  
Muskogee, OK 74403  
800-743-7431 phone  
888-686-6212 fax  
[www.advantagecontrols.com](http://www.advantagecontrols.com)