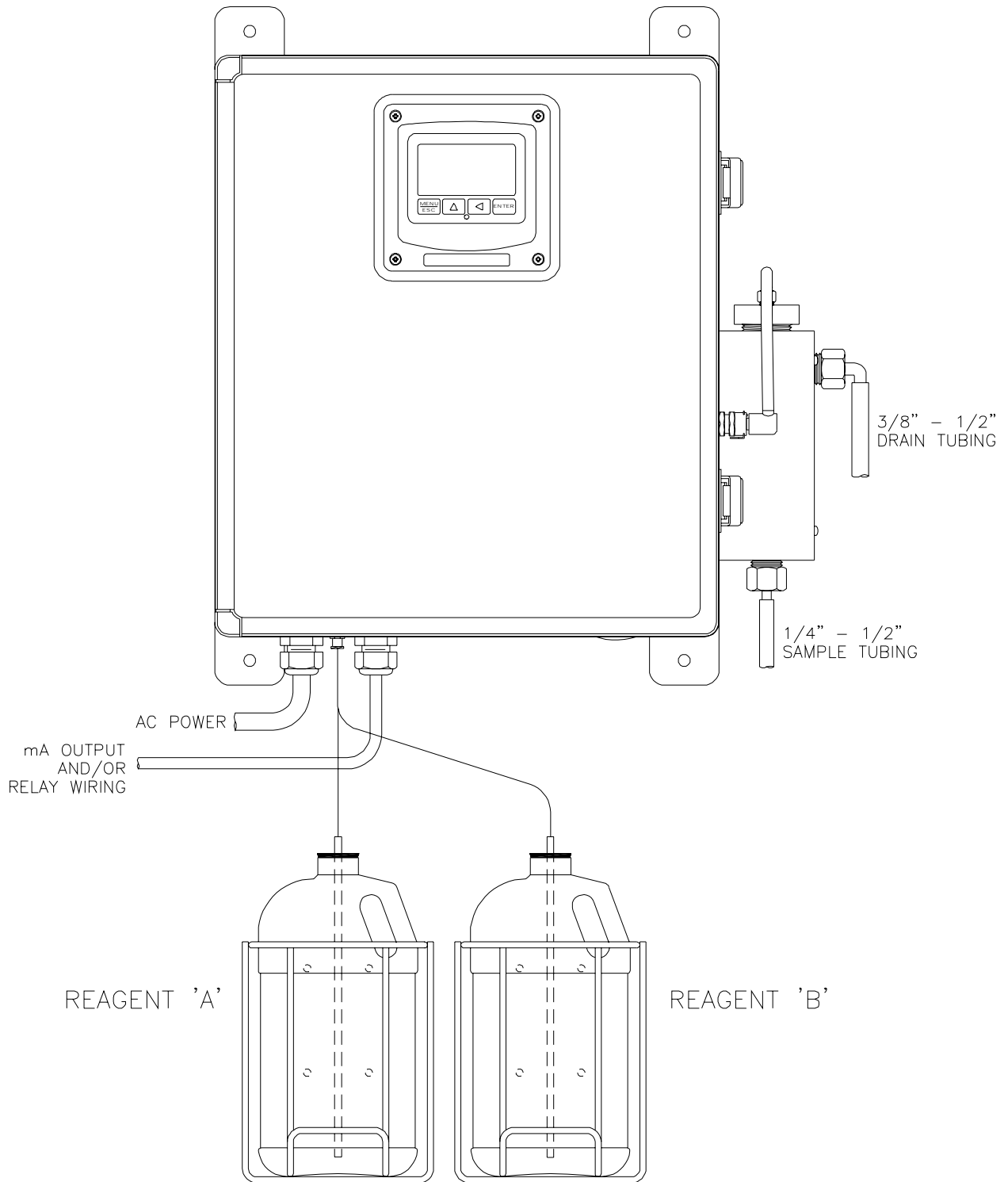
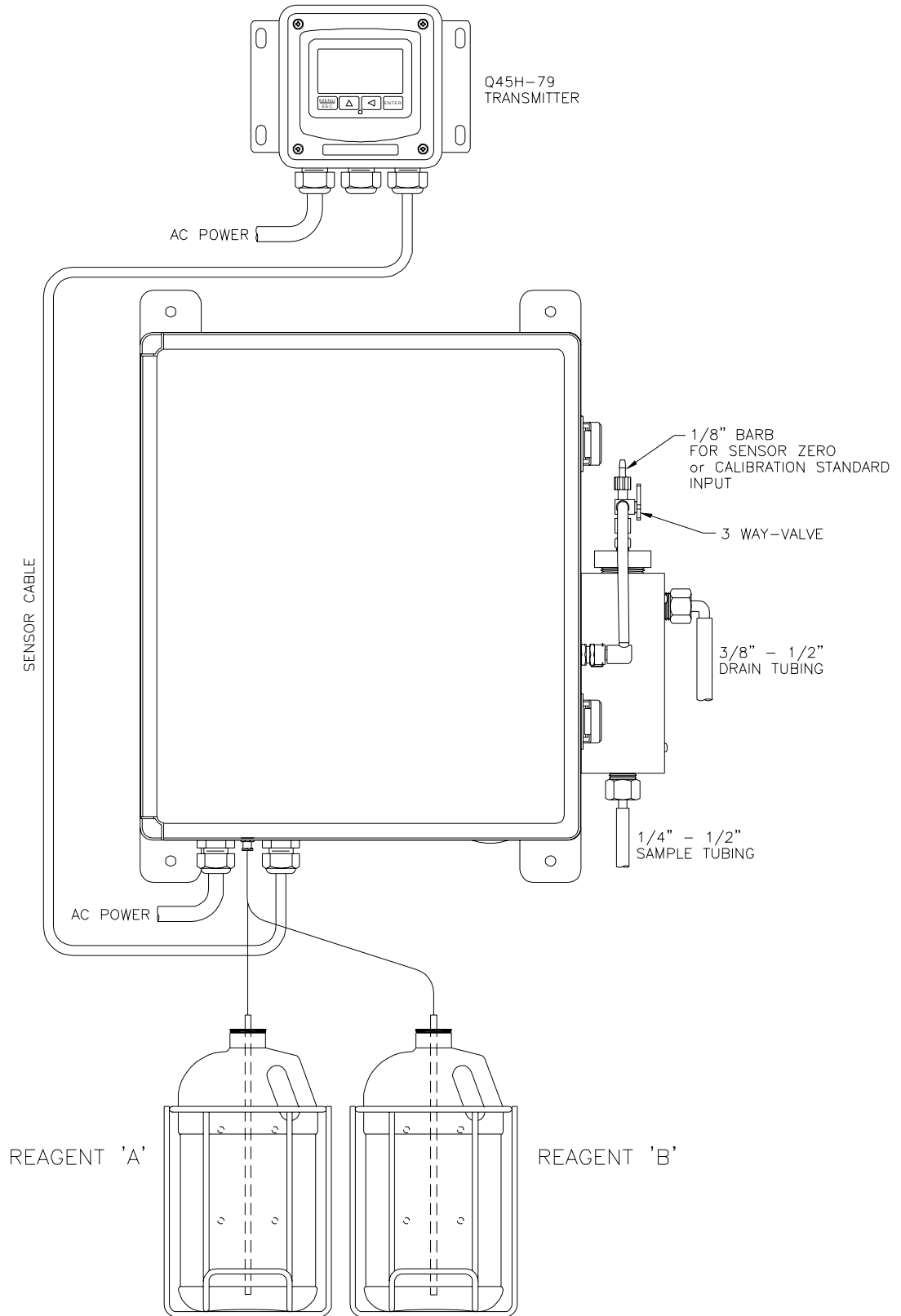


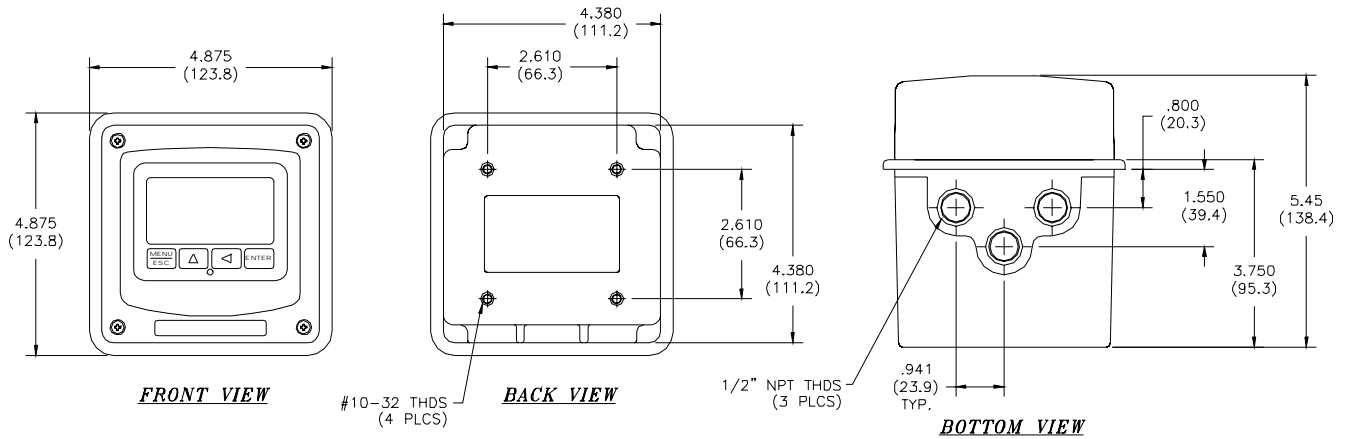
**INTEGRAL SYSTEM DIAGRAM**



**REMOTE SYSTEM DIAGRAM**



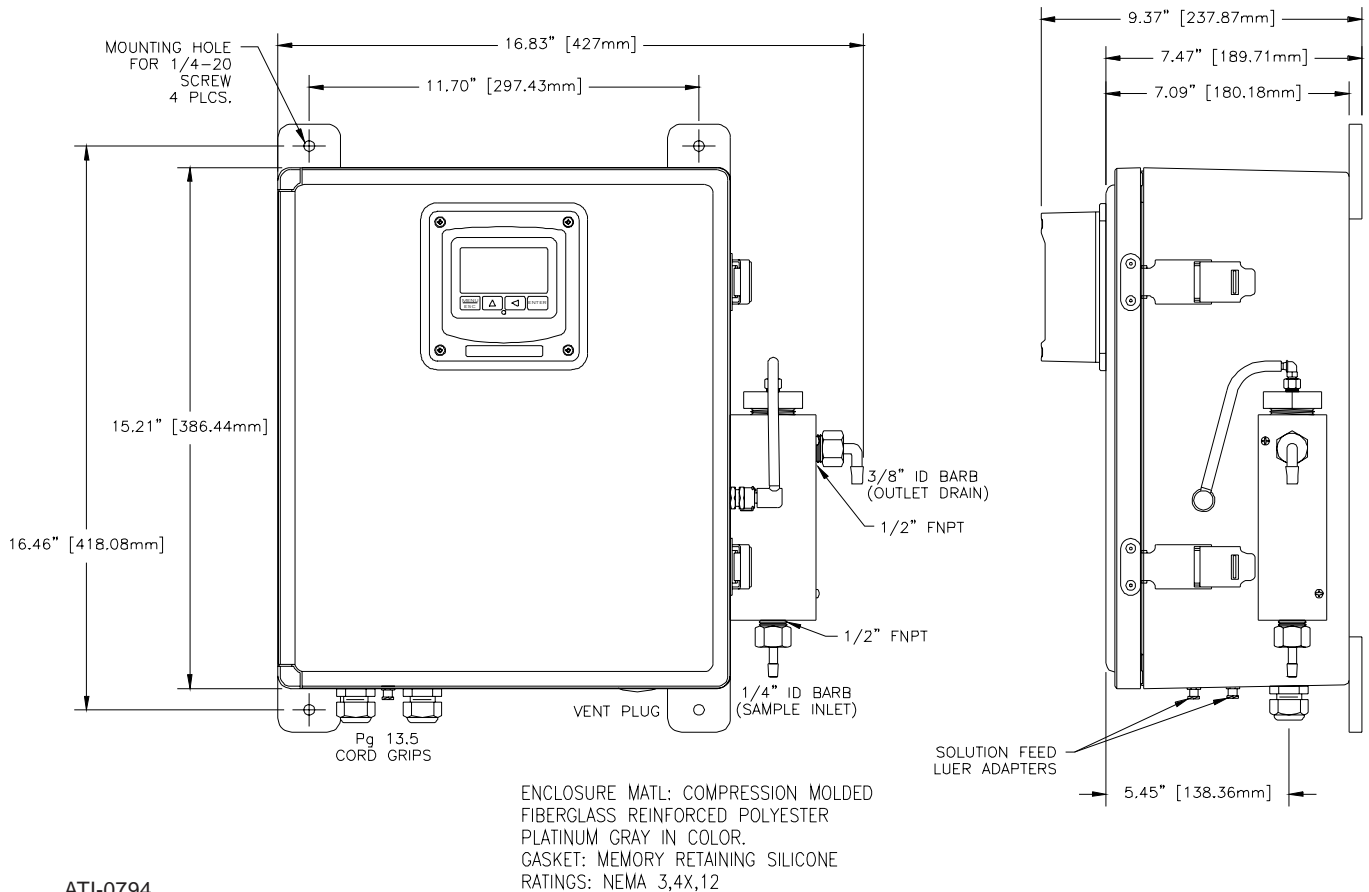
**REMOTE TRANSMITTER DIMENSIONAL**



Material: Polycarbonate  
 Ratings: Nema 4X (IP-66)  
 V-0 Fire Retardant

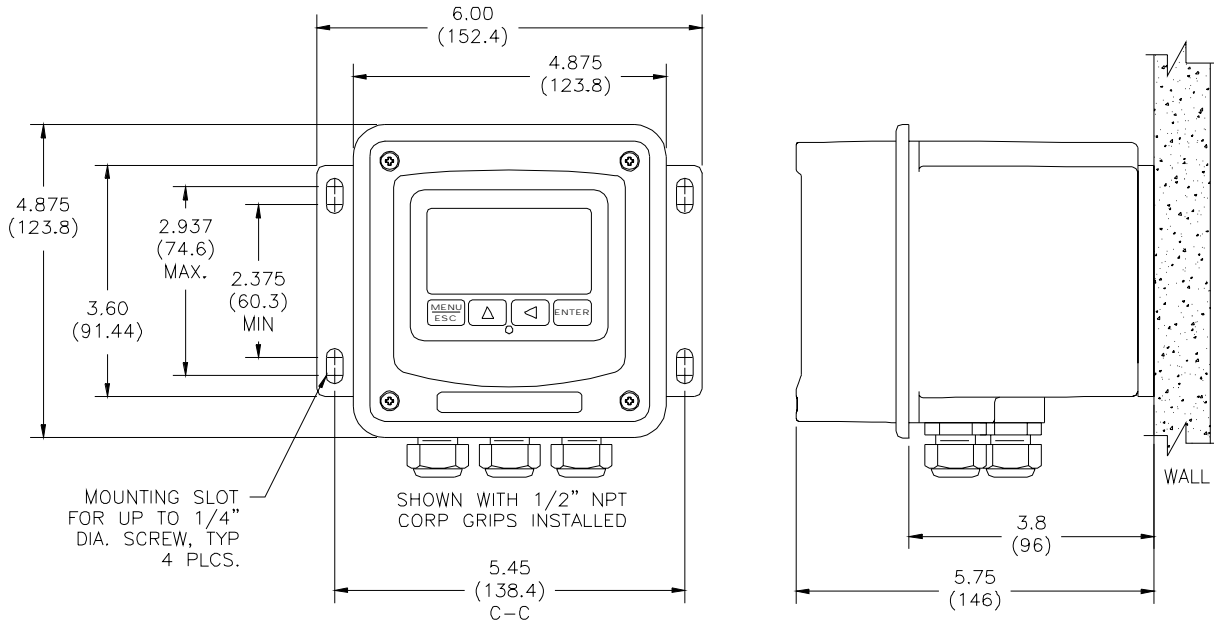
ATI-0706

**CHEMISTRY MODULE DIMENSIONAL**



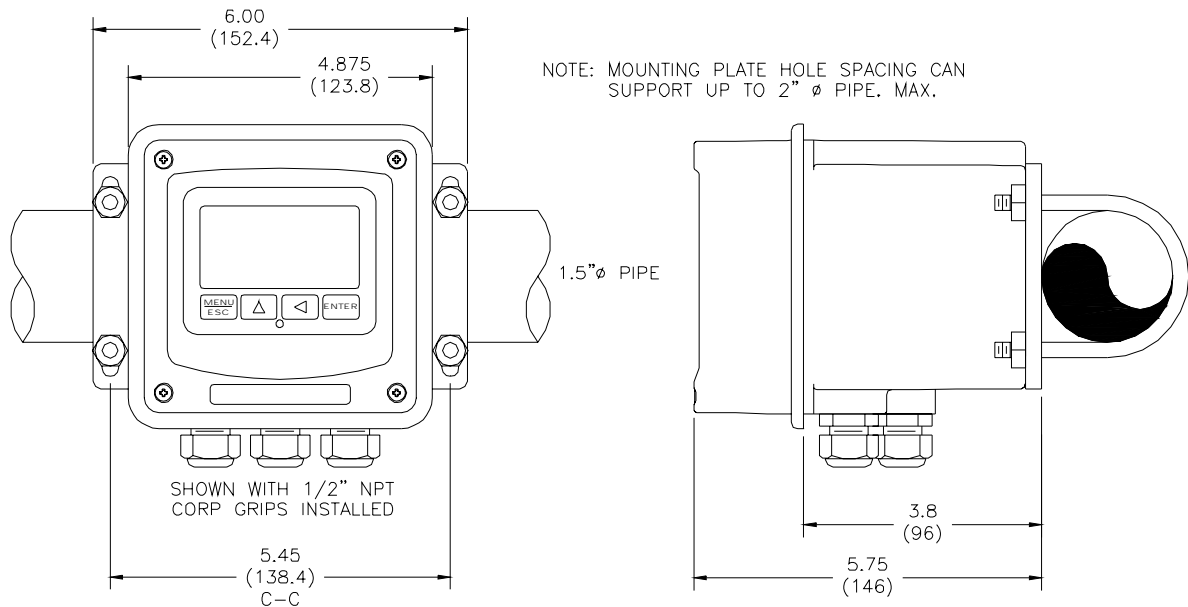
ATI-0794

**WALL MOUNTING**



ATI-0709

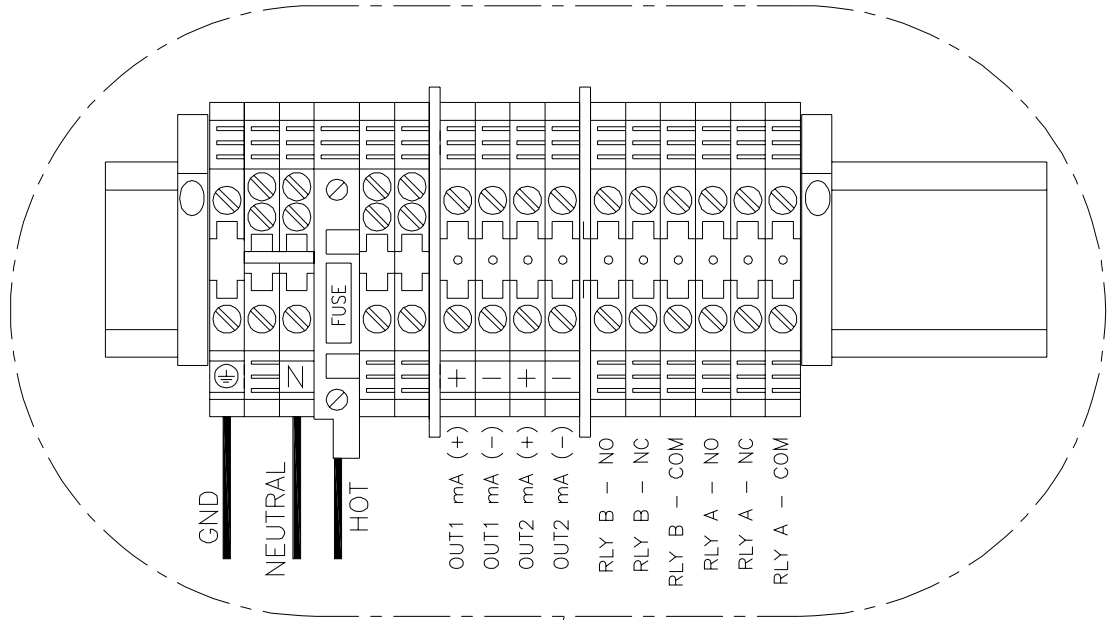
**PIPE MOUNTING**



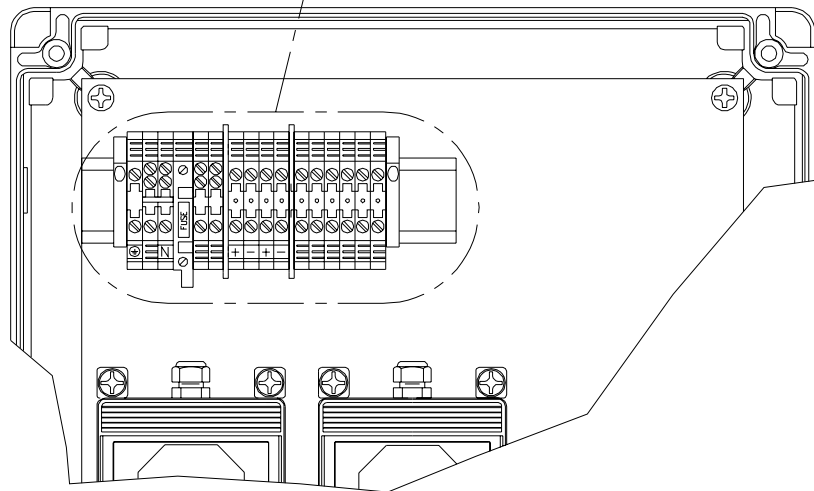
NOTE: PLATE MAY BE TURNED 90° FOR VERTICAL PIPE MOUNTING

ATI-0710

**INTEGRAL ASSEMBLY - CUSTOMER CONNECTIONS**

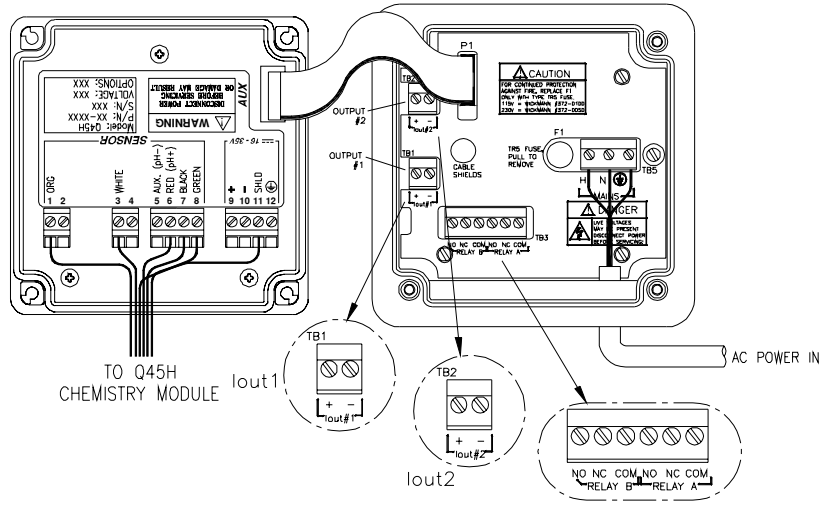


CHEMISTRY MODULE  
 LID - REMOVED TO  
 SHOWN WIRING CONNECTIONS



ATI-0801

**REMOTE ASSEMBLY - CUSTOMER CONNECTIONS**



CHEMISTRY MODULE LID - REMOVED TO

