



BLÜCHER® DRAIN INDUSTRIAL

Industrial drains for resin floors.	4
Accessories for industrial drains.	5



Drains for commercial and industrial applications



Adjustable or non-adjustable drains
For concrete, tiled, epoxy or vinyl floors
Square or circular

Applications

For concrete, tiled, vinyl and epoxy flooring in:

- Industrial areas
- Commercial kitchens
- Supermarkets, restaurants, airports etc.

Details

- Square or circular reinforced frame
- Flow capacities from 1,2 to 7,8 l/s
- 20 mm frame height
- Gratings suitable for any load class

Variants

- Vertical or horizontal outlet
- For liquid, sheet or no membrane

Options

- Removable water trap
- Filter basket and sand bucket
- Sideinlet
- Stainless steel AISI304/EN 1.4301 or AISI316L/ EN1.4404

Complete drains

Floor: Concrete/tiles without membrane - fixed



- Optional grating
- Optional filter basket
- Optional water trap
- Drain

Floor: Concrete/tiles with liquid membrane



- Optional grating
- Adjustable upper part
- Optional filter basket
- Optional water trap
- Lower part

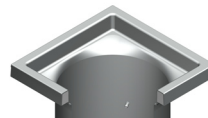
Floor: Concrete/tiles with sheet membrane



- Optional grating
- Adjustable upper part
- Optional filter basket
- Optional water trap
- Lower part with clamping flange

Upper parts & frames

Concrete/tiles



Vinyl



Epoxy



Complete Drain

1. Drain

Adjustable 2-part drain or fixed 1-part drain.

2. Grating

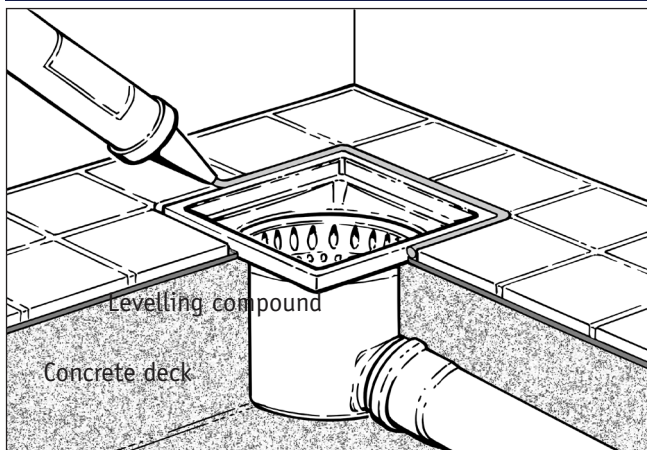
Optional gratings for all load classes available

3. Accessories

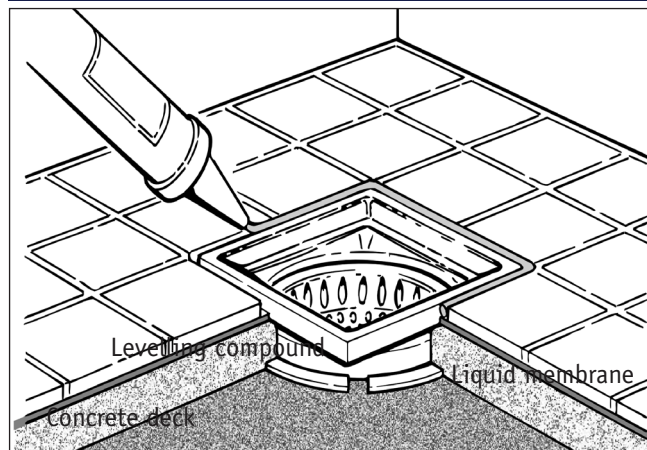
Accessories such as filter basket, sand bucket and water trap are not included

Installation examples

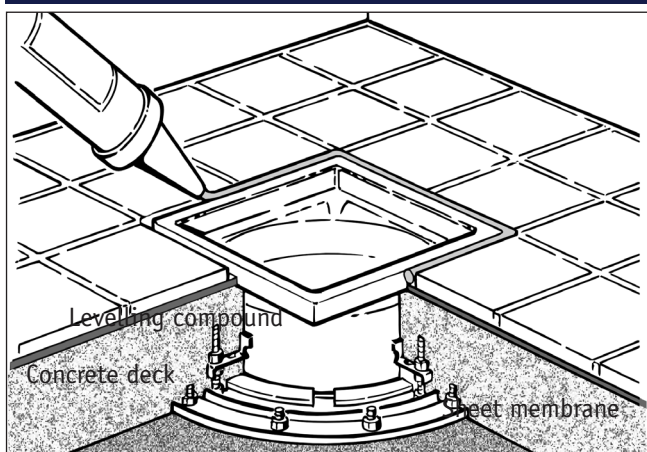
Concrete and tiles without membrane



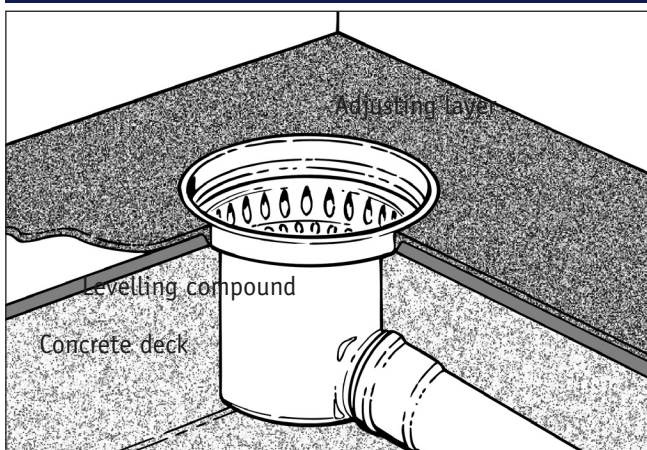
Concrete and tiles with liquid membrane



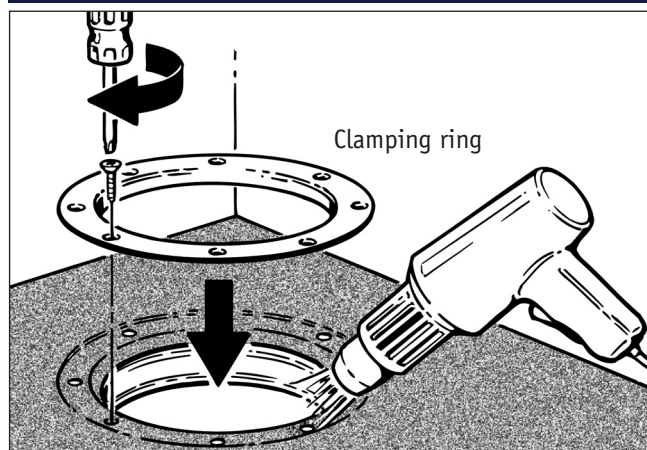
Concrete and tiles with sheet membrane



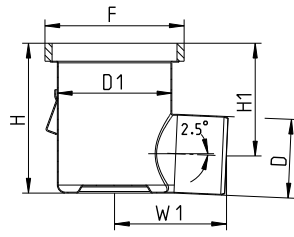
Epoxy



Vinyl



INDUSTRIAL DRAIN TYPE 763.50

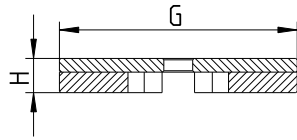


Type no.	EAN no.	D	D1	F	H	H1	W1	Holes for screws
763.502.110	5705499110081	110	160	Ø195	209	157	156	0
763.503.110	5705499110104	110	260	Ø295	228	176	206	0
763.503.160	5705499110128	160	260	Ø295	228	160-203	341	0

Industrial drains for resin floors are also available as adjustable. For more information contact BLÜCHER.

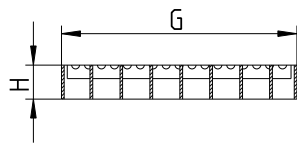
Gratings CIRCLE

SLOT GRATING CIRCLE



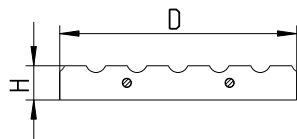
Type no.	EAN no.	G	H	Load class	Screws
790.173.000.10	5705499113587	Ø174	25	L 4000 kg	0
790.273.000.10 S	5705499106862	Ø273	25	L 6000 kg	0

MESH GRATING CIRCLE



Type no.	EAN no.	G	H	Load class	Screws
790.173.000.22	5705499113600	Ø173	25	L 2000 kg	0
790.273.000.22	5705499113792	Ø273	25	L 1000 kg	0

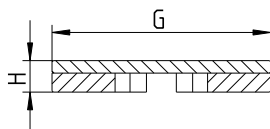
LADDER GRATING CIRCLE



Type no.	EAN no.	G	H	Load class	Screws
790.173.000.25 S	5705499106831	Ø173	25	L 5000 kg	0
790.273.000.25 S	5705499106879	Ø273	25	L 5000 kg	0

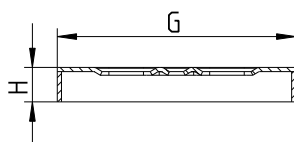
Gratings CIRCLE

BLANK PLATE CIRCLE



Type no.	EAN no.	G	H	Screws
790.173.000.00	5705499121216	Ø173	25	0
790.273.000.00	5705499121223	Ø273	25	0

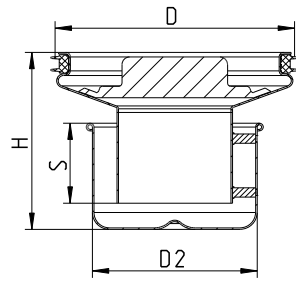
3MM GRATING CIRCLE



Type no.	EAN no.	G	H	Load class	Screws
790.173.000.03 S	5705499106817	Ø173	25	L 1000 kg	0
790.273.000.03 S	5705499106855	Ø273	25	K 500 kg	0

Water traps

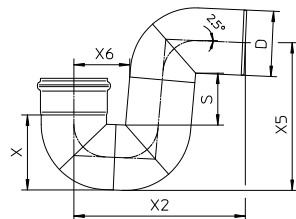
REMOVABLE WATER TRAP TYPE 562



Type no.	EAN no.	D	H	S	D2	Max Flow (l/s)
562.002.000 S	5705499107968	157	115	52	107	3.3
562.003.000 S	5705499108033	257	128	52	197	7.8

Type 562.002 fits into drains size 200x200 and type 562.003 fits into drains size 300x300. Accurate flow rate depending on type of drain and grating.

P-TRAP 87.5° TYPE 525

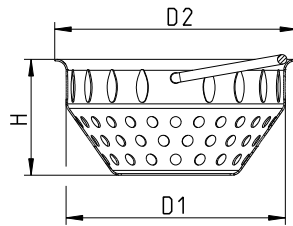


Type no.	EAN no.	D	S	X	X2	X5	X6	Max Flow (l/s)
525.090.075 S	5705499101478	75	81	89	222	189	74	2.5
525.090.110 S	5705499101485	110	89	126	289	249	94	3.4
525.090.160 S	5705499101492	160	105	178	388	338	121	7.5

Accurate flow rate depending on installation.

Others

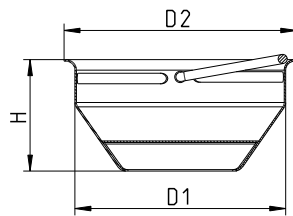
FILTER BASKET TYPE 780



Type no.	EAN no.	D1	H	D2
780.002.000.05	5705499113358	140	74	155
780.003.000.05	5705499113402	238	75	253

If the drain is to be fitted with both filter basket and water trap, make sure that the height of the drain is sufficient.

SAND BUCKET TYPE 780

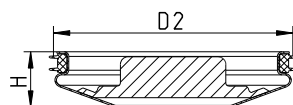


Type no.	EAN no.	D1	H	D2
780.002.000.00	5705499113334	140	74	155
780.003.000.00	5705499113389	238	75	253

If the drain is to be fitted with both filter basket and water trap, make sure that the height of the drain is sufficient.

PLUG FOR INDUSTRIAL DRAINS

FOR NO SMELL IN COMBINATION WITH BLIND PLATE



Type no.	EAN no.	H	D2
700.000.004 S	5705499118575	36	157
700.000.005 S	5705499118582	41	256