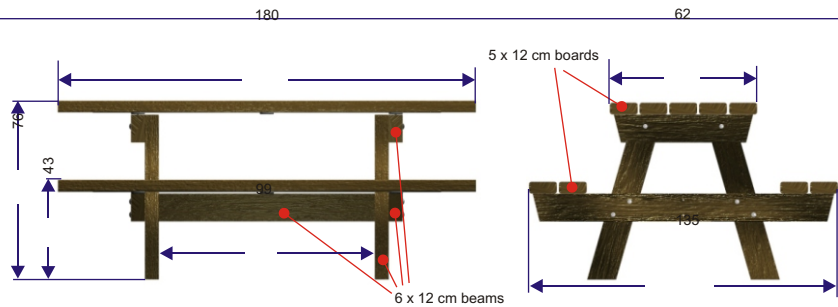


**picnic table OSLO**



weight = approx. 154 kg



**Description**

The picnic table consists of two A-shaped table legs made of 6 x 12 cm beams on which the tabletop and two seats are mounted. The seat consists of two 5 x 12 cm boards, individually reinforced underneath with a countersunk metal profile. The tabletop consists of five 5 x 12 cm boards individually reinforced underneath with a countersunk metal profile, as well. Furthermore, a metal cross profile is screwed underneath the middle of the tabletop, connecting the beams with each other. Between the table legs, an A-shaped 6 x 12 cm reinforcement beam is mounted.

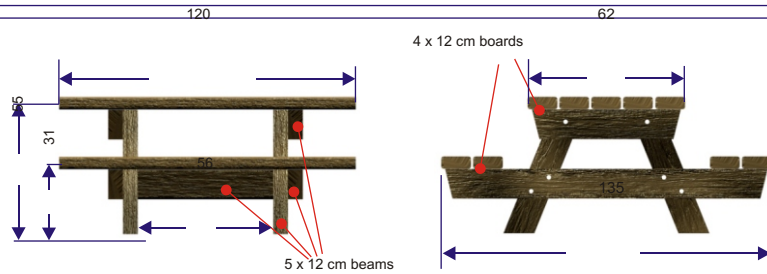
**Anchorage**

The picnic tables stand loose, the model with anchorage has lengthened legs (50 cm longer), which need to be dug in and anchored with concrete or stabilised sand. (see picture below) Cf. separate schedule on anchorage. The table can also be anchored by means of 4 galvanised plates which have to be fixed underneath the legs. These plates are provided with a hole to fix a wire-bar into the ground. (see also anchorage bench Palermo)

**picnic table OSLO Junior**



weight = approx. 83 kg



**Description**

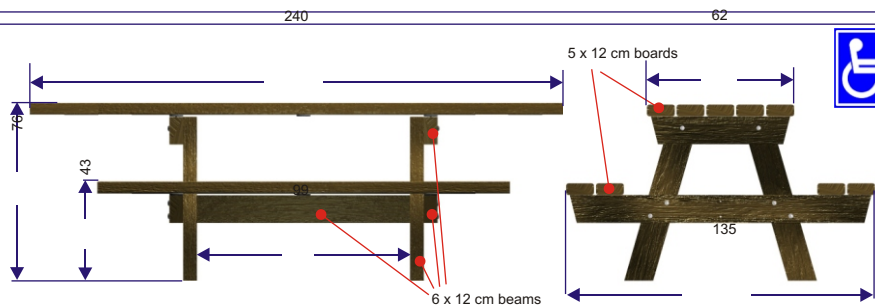
Description identical to OSLO. As the drawing shows, the difference lies in the length of the tabletop and the sitting height. The beams and boards used are 1 size thinner..

**Anchorage:** identical to OSLO

**picnic table OSLO XL**



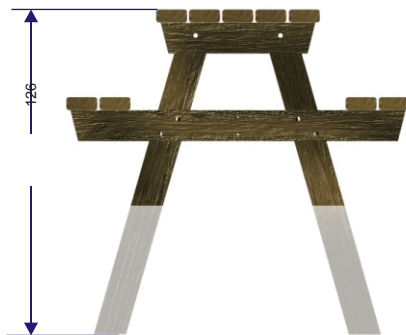
weight = approx. 180 kg



**Description**

Description identical to OSLO, but the length of the tabletop is 240 cm instead of 180. The tabletop has been lengthened on both sides to make the table accessible to wheelchair users.

**Anchorage:** identical to OSLO



**bi-colour options :**



If the table needs to be anchored, the legs are about 50 cm longer.

weight OSLO with anchorage = approx. 165kg  
 weight OSLO Junior with anchorage = approx. 94kg  
 weight OSLO Plus with anchorage = approx. 191kg

**properties / material / look / maintenance**

The boards are made of high quality recycled plastic, mass coloured : durable, weather-resistant, low maintenance, rotproof, recyclable. All metal fixing materials and parts are galvanised. The surface is knot free, evenly coloured and shows a faced, slightly shining structure.

