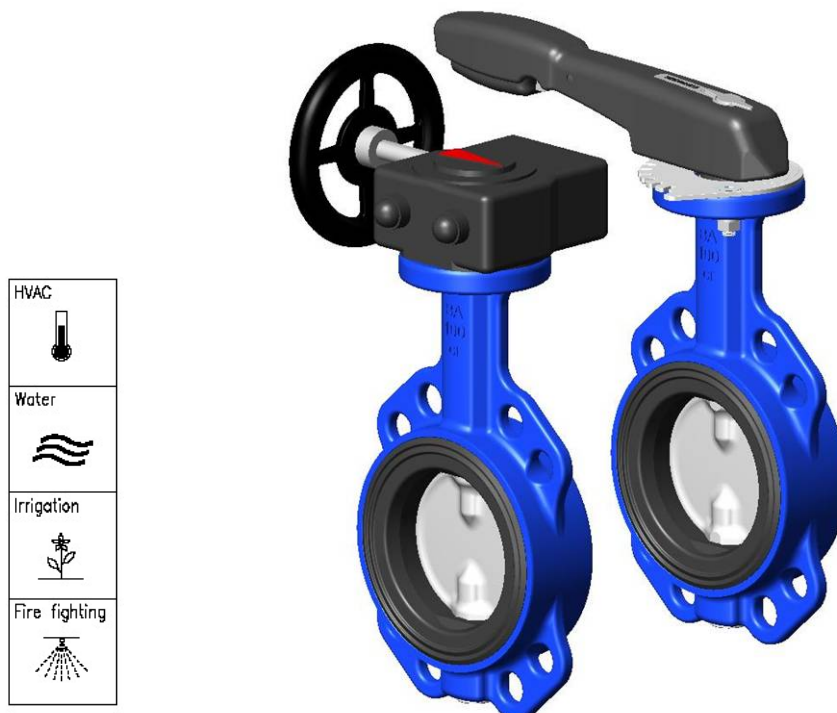




# Herz Isolator

## Butterfly Valves



High quality loose liner butterfly valves designed in accordance with EN593 with extended necks for insulation, available in Semi-lugged or Fully-lugged versions. Face to face dimensions to EN 558/20 and DIN 3202/K1 and rated at PN16 and PN10 (DN250-300).

A lockable “cool touch” ergonomic handle prevents tampering and protects against nipped fingers.

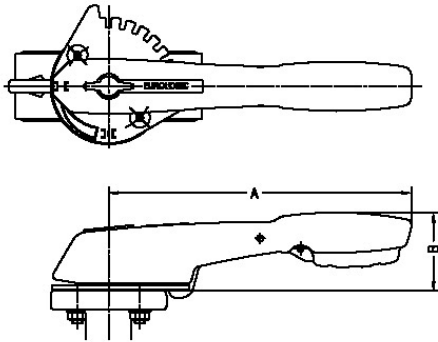
The Butterfly Valves are supplied in a blue (RAL 5017) powder coated finish to 12944-2 for category C3 medium.

With anti-blow out shaft and bi-directional tight shut-off the valve has a high safety responsibility in operation and maintenance.

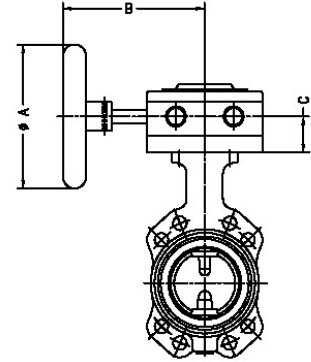
Suitable for water and air systems in heating, cooling, air conditioning and ventilation as well as fire fighting and agricultural applications, the valves are in accordance with an ISO 9001 quality system audited by BSI. They are pressure and functionality tested according to quality procedures which comply with international standards as ISO 5209.

### Part Numbers

Dimension DN	Semi Lugged Lever Operated	Semi Lugged Gearbox Operated	Semi Lugged Double Regulating	Fully Lugged Lever Operated	Fully Lugged Gearbox Operated	Fully Lugged Double Regulating
50	BF-SLL-06	BF-SLG-06	BF-DR-SLG-06	BF-FLL-06	BF-FLG-06	BF-DR-FLG-06
65	BF-SLL-07	BF-SLG-07	BF-DR-SLG-07	BF-FLL-07	BF-FLG-07	BF-DR-FLG-07
80	BF-SLL-08	BF-SLG-08	BF-DR-SLG-08	BF-FLL-08	BF-FLG-08	BF-DR-FLG-08
100	BF-SLL-09	BF-SLG-09	BF-DR-SLG-09	BF-FLL-09	BF-FLG-09	BF-DR-FLG-09
125	BF-SLL-10	BF-SLG-10	BF-DR-SLG-10	BF-FLL-10	BF-FLG-10	BF-DR-FLG-10
150	BF-SLL-11	BF-SLG-11	BF-DR-SLG-11	BF-FLL-11	BF-FLG-11	BF-DR-FLG-11
200	-	BF-SLG-12	BF-DR-SLG-12	-	BF-FLG-12	BF-DR-FLG-12
250	-	BF-SLG-13	BF-DR-SLG-13	-	BF-FLG-13	BF-DR-FLG-13
300	-	BF-SLG-14	BF-DR-SLG-14	-	BF-FLG-14	BF-DR-FLG-14

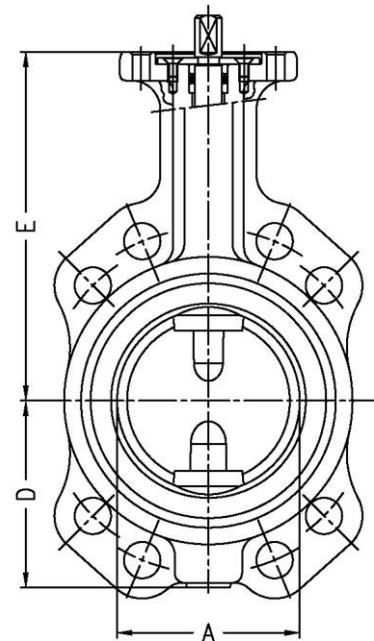
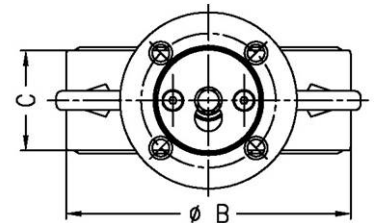


DN	Lever	a	b	Kg
50-80	LBA1	195	60	0.4
100 & 125	LBA2	240	65	0.7
150	LBA3	390	70	0.9



DN	Gearbox	F	A	B	C	Kg
50-80	WK1	05	100	104	21	1
100-200	WK2	07	125	118	29	2
250-300	WK3	10	315	203	37	3

Part	DN	Material	European Grade
Body Wafer	50-300	Grey Cast Iron	EN1561, JL1040
Body Lugged	50-300	Ductile Cast Iron	EN1563, JL1030
Shaft	50-300	13% CR Stainless Steel	EN10088, 1.4021
Bearing	50-300	Steel/PTFE	-
Lever	50-200	Reinforced Polyamide With steel insert	-
Disc	50-150	13%CR Stainless Steel	EN10088, 1.4021
	200-300	Carbon Steel, coated	EN12222/2 DIN17 100, 1.0570
Liner	50-300	EPDM	EN1691
Minimum Temperature			-20°C
Maximum Temperature			110°C
Maximum Pressure			DN50-200 16 bar
Maximum Pressure			DN250-300 10 bar



DN	A	B	C	D	E	SL, Kg	FL, Kg
50	47.5	92	43	63	125	2.5	3.6
65	62	115	46	76	150	3	4.4
80	76	130	46	83	157	4	5.9
100	95	148	52	96	182	5	8.6
125	120	181	56	113	201	6	11
150	145	206	56	126	214	9	12
200	195	261	60	155	245	13	16
250	245	316	68	195	283	25	28
300	295	372	78	220	308	34	38.3

## Herz Valves UK Ltd

Progress House  
Moorfield Point  
Moorfield Road  
Guildford  
Surrey, GU1 1RU.

[www.herzvalves.com](http://www.herzvalves.com)

Tel: 01483 502211  
Fax: 01483 502025

E-Mail: [sales@herzvalves.com](mailto:sales@herzvalves.com)