



Integral Fixed Orifice Commissioning Valve

Herz 4017



Herz Integral Fixed Orifice Commissioning Valve – ½" to 2" (DN15 to DN50). Including special Low and Medium flow versions

Part of the extensive range of Circuit Balancing valves from Herz. The new Herz 4017 DZR combined regulating and measuring valve has an integral orifice incorporated into the valve casting. Available in sizes from DN15 to DN50, ½" to 2", with BSP female threaded ends to BS21 and manufactured to BS 7350. The valve is also available in Low Flow and Medium Flow DN15 versions.

The commissioning valve has hidden regulating and locking functions with high accuracy and good repeatability.

The valve is fitted with two standard pressure test points, extended test points are available when required. A 'Micro-set' two number position indicator is fitted to the adjustment handle for recording the valve position.

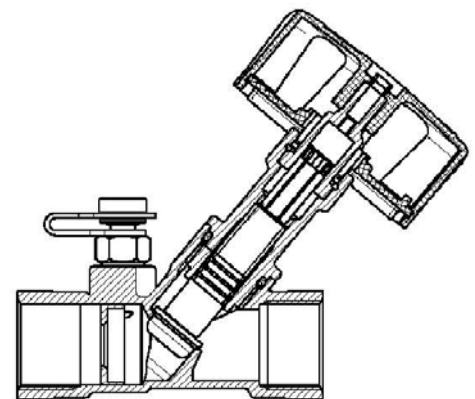
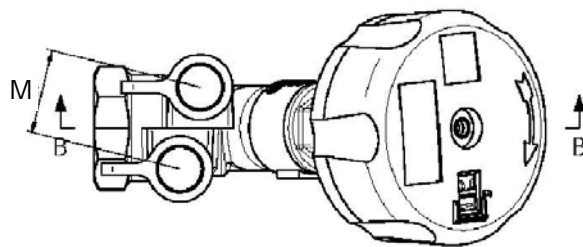
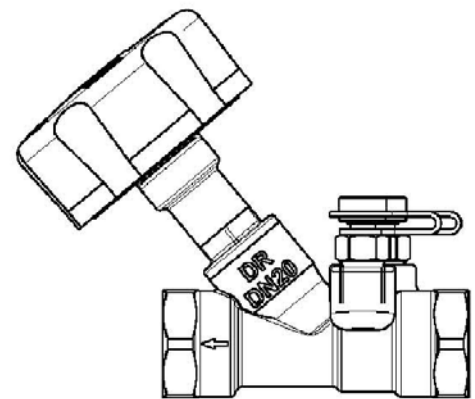
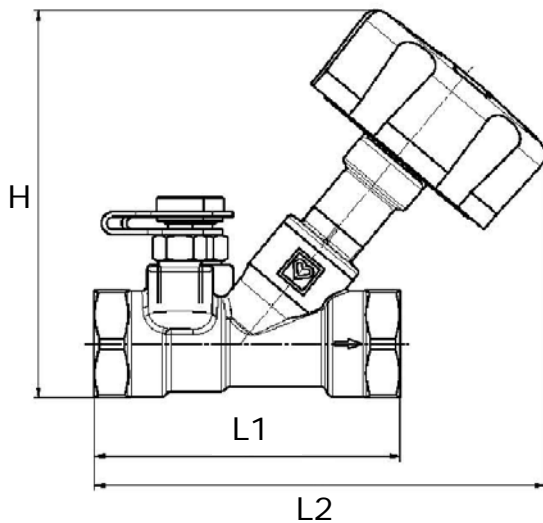
Memory stop procedure

1. Set the handwheel to the desired position.
2. Screw the memory stop spindle, located in the centre of the handwheel, gently up to the stop, the stop is now set.

Max Temperature
Pressure Rating

120°C
PN16

Size	Fig No	L1	L2	H	M	Kvs	Kv _{max}
DN15 LF	4017-11	83	129	110	25	0.48	0.46
DN15 MF	4017-21	83	129	110	25	0.97	0.88
DN15	4017-01	83	129	110	25	1.95	2.00
DN20	4017-02	91	135	116	25	3.95	3.60
DN25	4017-03	110	146	128	25	7.90	6.50
DN32	4017-04	122	159	144	25	15.75	13.30
DN40	4017-05	135	178	161	25	21.50	18.50
DN50	4017-06	164	197	177	25	46.70	33.00



Section B-B



www.herzvalves.com

Herz Valves UK Ltd

Progress House
Moorfield Point, Moorfield Road
Slyfield Industrial Estate
Guildford Tel: 01483 502211
Surrey, GU1 1RU. Fax: 01483 502025
E-Mail, sales@herzvalves.com