

Distributors for Floor Heating Systems

Data sheet for

853X

Issue 1105

Rod-type distributor, Dimension 1

- Rod-type distributor sets with shutoff- and thermostatic upper parts
- Rod-type distributor sets with thermostatic upper parts and top meter control inserts
- Single take-off sets (extension sets)
- Shut-off valves, straight and angle models
- Compression unions for copper, steel, and plastic pipes.

System Components

Rod-Type Distributor Sets with Shutoff- and Thermostatic Upper Parts, 8531

Intake distributors with shutoff upper parts, return distributors with thermostatic upper parts, intake and return distributors in brass, with staggered take-offs, with bleed and draining functions, intake and return distributors with one end cap each, 2 distributor holding devices for wall or cabinet mounting.

Distributor connection by 1 female thread, pipe connection G 3/4

Order Number	Branch-offs per Distributor	Order Number	Branch-offs per Distributor
1 8531 03	3	1 8531 10	10
1 8531 04	4	1 8531 11	11
1 8531 05	5	1 8531 12	12
1 8531 06	6	1 8531 13	13
1 8531 07	7	1 8531 14	14
1 8531 08	8	1 8531 15	15
1 8531 09	9	1 8531 16	16

Rod-Type Distributors with Shutoff- and Thermostatic Upper Parts

Rod-Type Distributor Sets with Thermostatic Upper Parts and Flow Meter Control Inserts

Intake distributors with thermostatic upper parts, return distributors with flow meter control inserts, intake and return distributors in brass, with staggered take-offs, with bleed and draining functions, intake and return distributors with 1 end cap each, 2 distributor holding devices for wall or cabinet mounting.

Distributor connection by 1 female thread, pipe connection G 3/4

Order Number	Branch-offs per Distributor	Order Number	Branch-offs per Distributor
1 853X 03	3	1 853X 10	10
1 853X 04	4	1 853X 11	11
1 853X 05	5	1 853X 12	12
1 853X 06	6	1 853X 13	13
1 853X 07	7	1 853X 14	14
1 853X 08	8	1 853X 15	15
1 853X 09	9	1 853X 16	16

Rod-Type Distributors with Thermostatic Upper Parts and Flow Meter Control Inserts

To be used as an extension set, distributors in brass with one branch per unit, including 2 couplings with 1 female thread, pipe connection G 3/4.

- 1 **8531** 93 **Single take-off Set with Shutoff and Thermostatic Upper Parts**
Intake distributor with shutoff upper part, return distributor with thermostatic upper part.
- 1 **8532** 93 **Single take-off Set with Thermostatic Upper Part and Top Meter Regulating Insert**
Intake distributor with thermostatic upper part, return distributor with top meter regulating insert.

Single Branch Sets

- 1 **8537** 03 **1 Pair of Shut-off Valves, Straight Model**
in brass, socket 1 female thread x short distributor connection, to be shut off by means of HERZ multi-purpose key 1 **6625** 00.
- 1 **8538** 03 **1 Pair of Shut-off Valves, Angle Model**
in brass, staggered design thanks to distributor connections of different lengths, socket 1 female thread x short/long distributor connection, to be shut off by means of HERZ multi-purpose key 1 **6625** 00.

Shut-off Valves

- 7940** HERZ Room temperature controller RTC
7990 DDC actuating drive
7790, 7791 HERZ Electronic room temperature controller RTR
3 F79X Wireless control system
7710, 7708 Actuating drives for 2 point or pulse control

Control

We reserve the right to make modifications in line with progress in engineering

HERZ Armaturen

Richard-Strauss-Straße 22 • A-1230 Wien
e-mail: office@herz-armaturen.com • www.herz-armaturen.com



Shut-off Upper Parts

The shut-off upper parts are operated by means of a 5-mm Allen key (1 6614 00). The intake is shut off by turning clockwise up to the stop.

Thermostatic Upper Parts

Set the thermostat to the "min" position or shut off by means of hand wheel or protective cap for building work.

Flow Meter Control Inserts

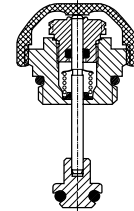
Pull the cap upwards, shut the top meter by turning clockwise. Snap cap back into position.

Shutting off the Heating Circuits

Any HERZ thermostat with remote control, components or the electronic control systems HERZ-RTC (room temperature computers, DDC actuating drives) or HERZ RTR (room thermostats, thermal actuators) can be used for controlling the thermostatic upper parts.

The thermostatic upper parts are supplied with a protective cap for building work which serves for protection and actuating during the building phase (pipe flushing). If, in exceptional cases no thermostat is installed use the HERZ hand wheel for operation.

Thermostatic Operation



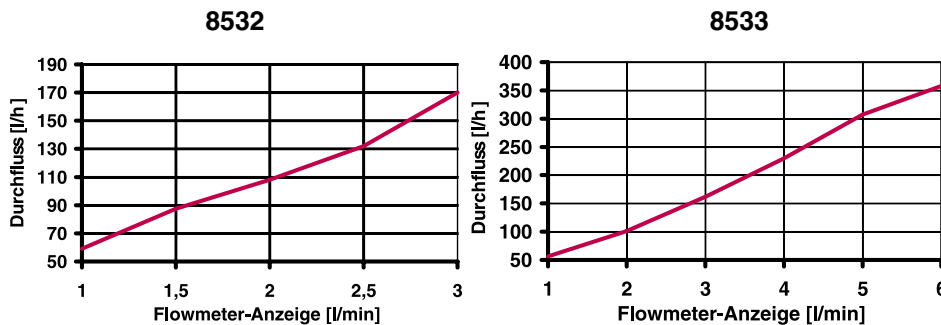
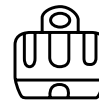
Flow meter control inserts are always installed in the return. The flow rate can be set directly (l/sec scale).

Adjustment: for each distributor set is one pre-setting key 1 6819 32 included.

For adjustment, pull the cap upwards, turn the flow meter until the desired flow rate is achieved. Snap cap back into position.

Flow Meter

Setting



Both, the intake and return distributors feature a draining valve with an G = 3/4 connection thread for a hose connection element (1 6206 01). The plug features a 5-mm square for actuating the draining valve.

Draining

Both, the intake and return distributors feature a bleed valve which is actuated by means of the HERZ multi-purpose key 1 6625 00.

Bleeding

8569 A separate standard sheet is available for HERZ distributor cabinets.

8570

8571

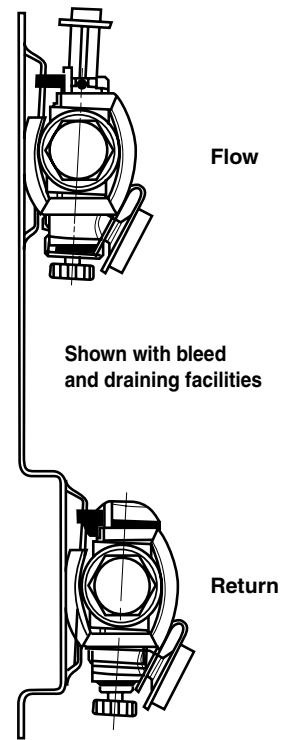
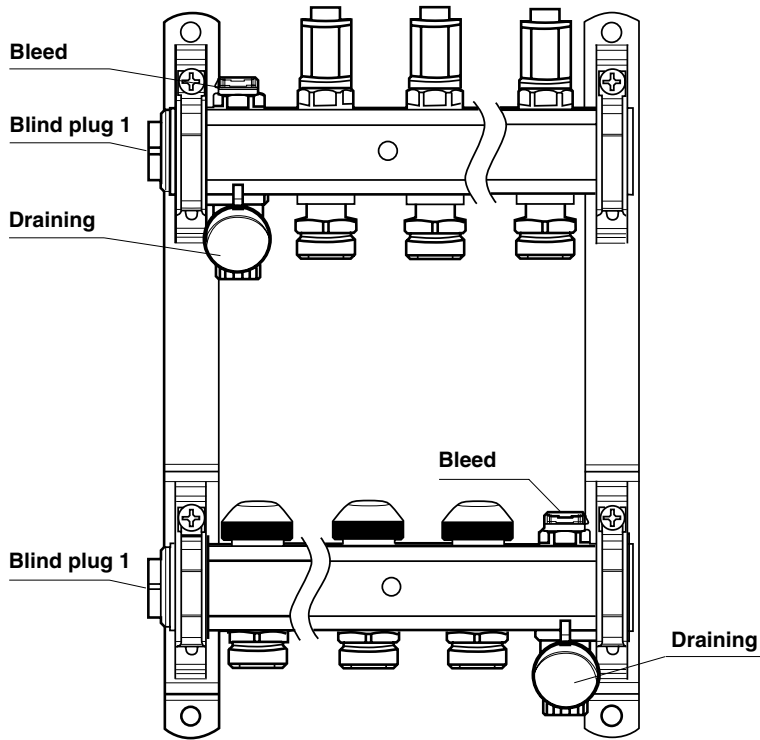
8572

Distributor Cabinets

1 851X 93	Cast modul distributor
1 8531 22 ... 32	Rod-type distributor
8574	Pre-assembled distributor system
8575	Pre-assembled distributor system
8576	Pre-assembled distributor system
3 F532	Pre-assembled control station KlimEasy Simple
3 F533	Pre-assembled control station KlimEasy Combi
8100	Floor heating control set and FloorFix

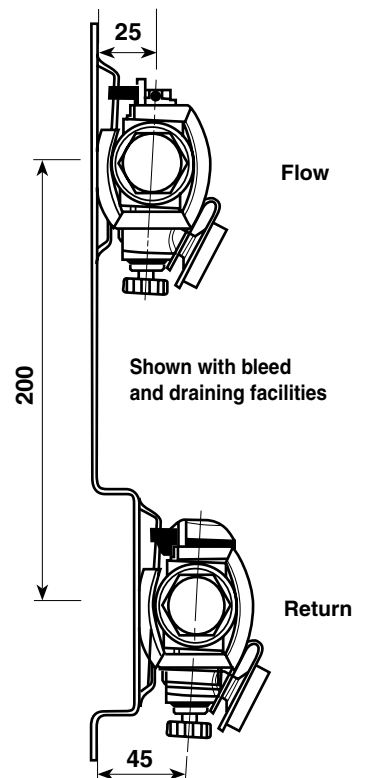
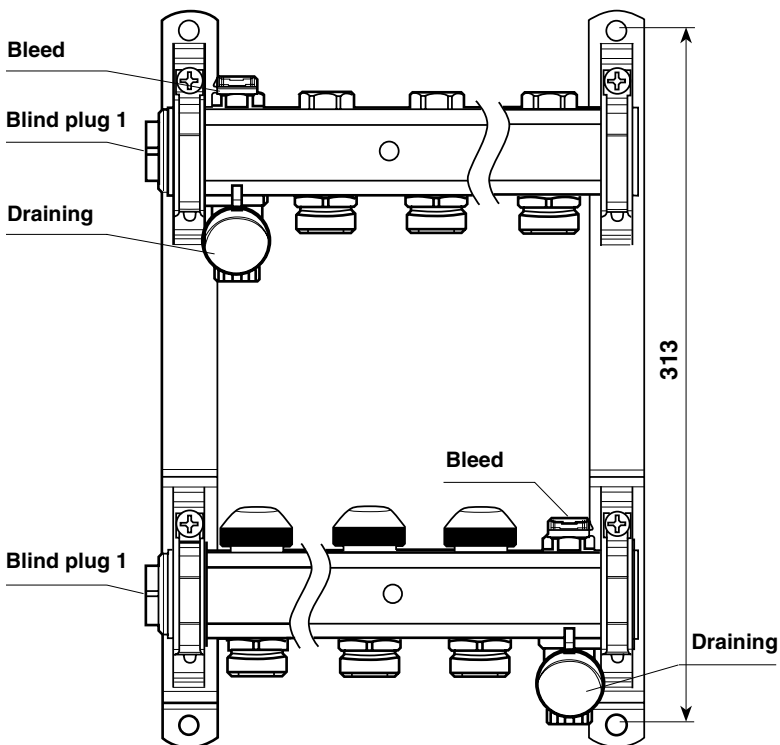
Other HERZ distributor models

8532 / 8533



Distributor - outlets	Length L	Distributor - outlets	Length L
1 853X 03	221	1 853X 10	571
1 853X 04	271	1 853X 11	621
1 853X 05	321	1 853X 12	671
1 853X 06	371	1 853X 13	721
1 853X 07	421	1 853X 14	771
1 853X 08	471	1 853X 15	821
1 853X 09	521	1 853X 16	871

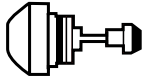
8531



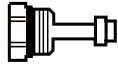
1 6614 00



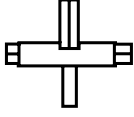
1 6403 31



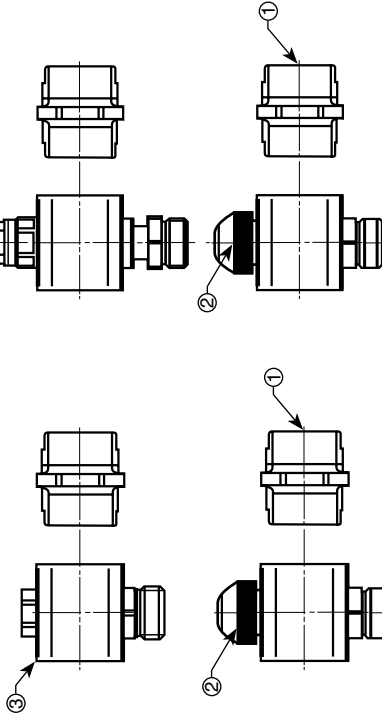
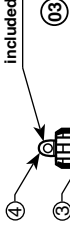
1 6413 01



1 6625 00



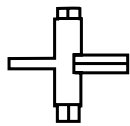
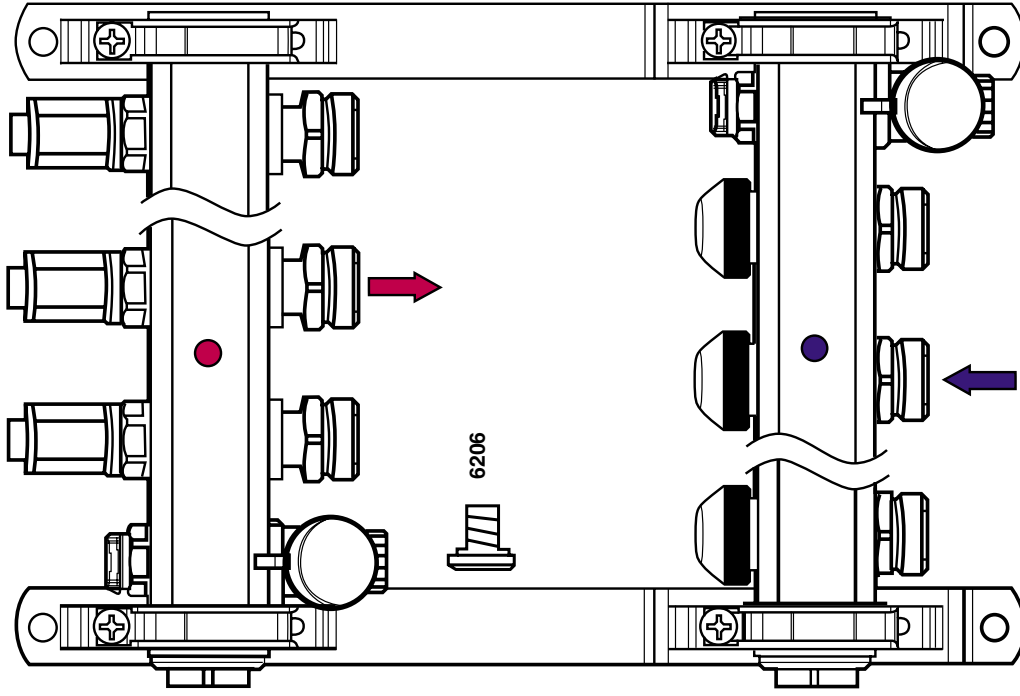
Pre-setting key is included



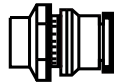
6098



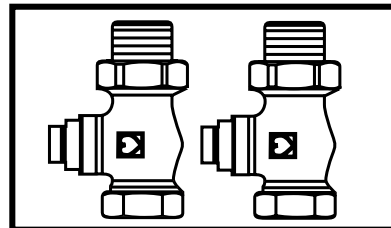
6274
6275
6276



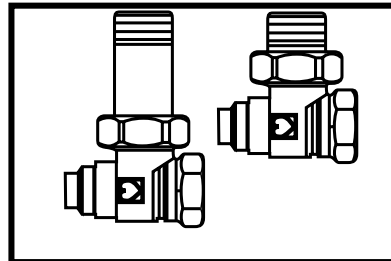
1 6625 00



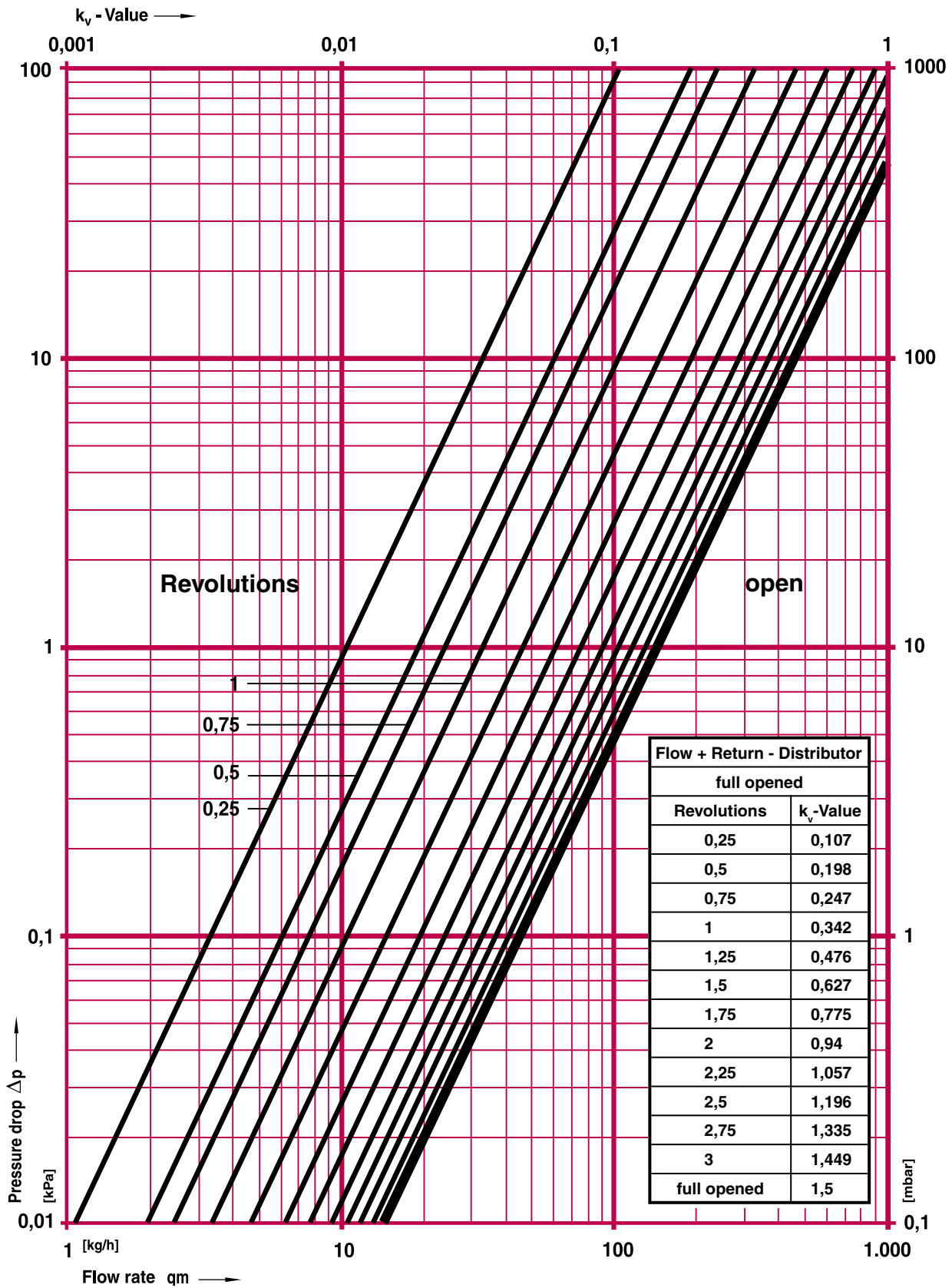
1 6301 00



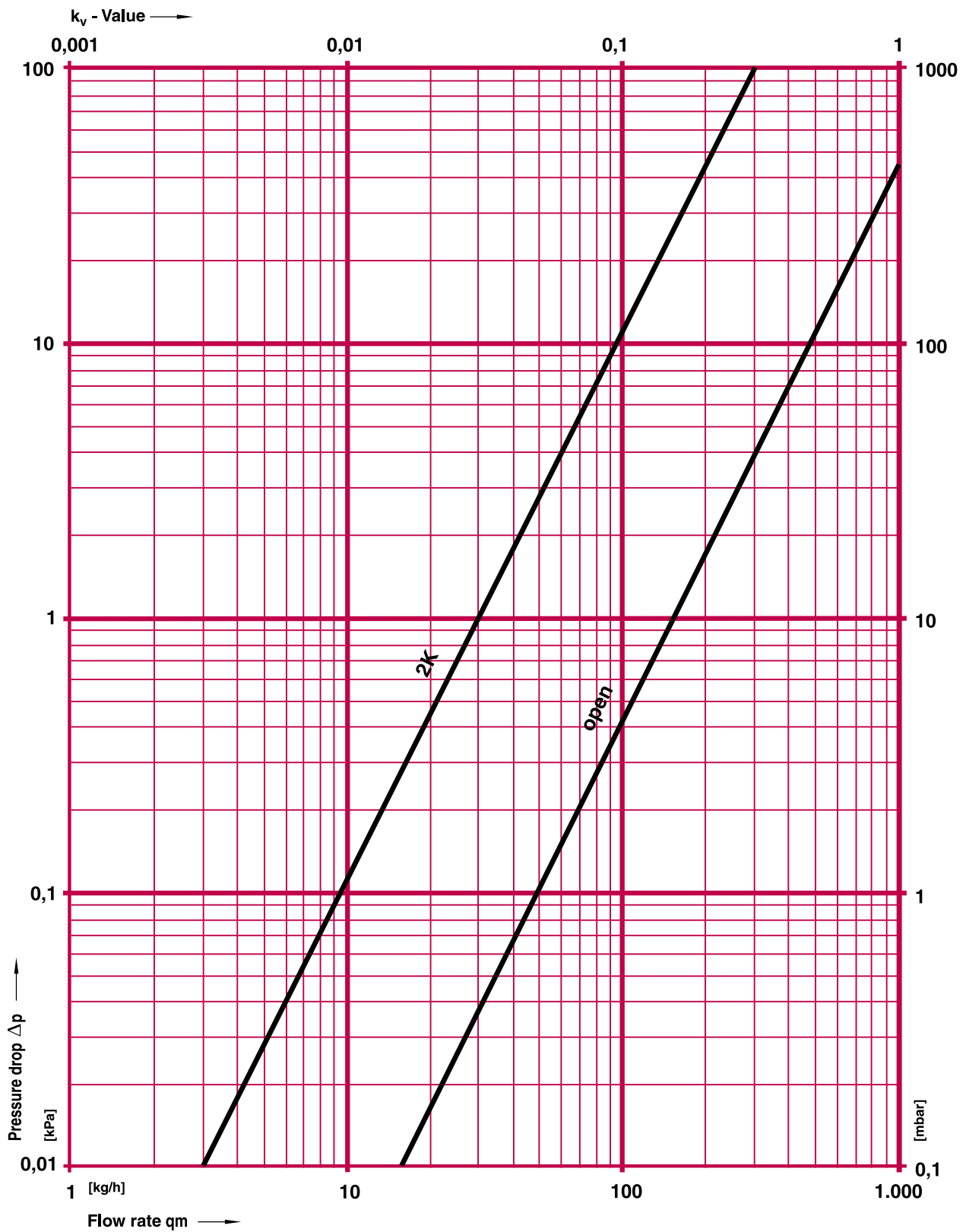
1 8537 03



1 8538 03



Subject to change without notice



2 K	Kv 0.3	e.g. for HERZ thermostats 7330, 9330 , HERZ-ETK 8330
open	Kv 1.5	e.g. for HERZ thermal actuator 7710

Subject to change without notice

1	4217 GM
2	4217 GR
3	4117 M
4	4115
5	4007
6	7763
7	7990 + 1 7708 98
8	7790 (Sauter NRT300F061)
9	4037
10	7712
11	7793
12	7793 01
13	7793 00
14	8441, 8541
15	7728
16	7230, 9230, 9200, 9860
17	3924
18	7175
19	7783
20	3066
21	7767
22	7710
23	9102
24	8532
25	7790 (Sauter NRT300F041)
26	1 7420 06 *)
27	1 7737 91 *)
28	1 5537 01 *)
29	1 8100 180 *)
30	4111
31	Circulation pump
32	Non-return valve
33	4004
34	9330
35	8100 Floor-fix

*) Set 8100

All specifications and statements within this brochure are according to information available at the time of printing and meant for informational purpose only. Herz Armaturen reserves the right to modify and change products as well as its technical specifications and/or its functioning according to technological progress and requirements. It is understood that all images of Herz products are symbolic representations and therefore may visually differ from the actual product. Colours may differ due to printing technology used. In case of any further questions don't hesitate to contact your closest HERZ Branch-office.

