

urinals
contour

Wall urinals and divisions in vitreous china specially designed for ducted services with all service connections completely concealed.

Particularly appropriate for anti vandal installations.

- *Completely concealed connections*
- *Anti vandal applications*
- *Designed for ducted services*
- *Easy clean design*



Illustrated

- S6110 Contour urinal, 67cm
- S6286 back inlet spreader
- S8850 1 1/2in plastic domed waste
- S8970 1 1/2in plastic P trap with 75mm seal
- S6120 vitreous china division with screw and hanger
- S9276 toggle bolts to suit maximum 25mm panel thickness
- S9275 concealed steel hangers

Material

Vitreous china

Weight

Urinal 14.0kg
Division 8.0kg

Colours

Available in White (01) only

Standards

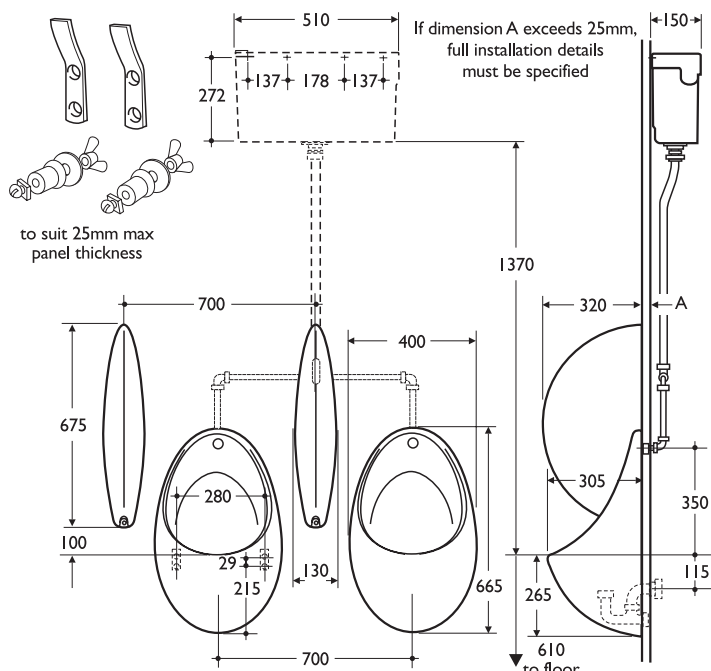
Vitreous china to BS 3402

Options

- S8811 1 1/4in plastic strainer waste
- S8965 1 1/4in plastic P trap with 75mm seal

Special notes

See page 11:1:13 for flushpipes



Urinals for junior use should be set at 510mm from floor to lip of bowl

