

urinals  
**sanura**

Wall urinal in vitreous china for exposed or concealed plumbing.

Available in 2 sizes and so particularly suitable for combined adult and junior installations.

- Wall urinal
- Vitreous china
- Two sizes

urinals



**Illustrated**

- S6100 Sanura 50cm wall urinal
- S6285 top inlet spreader
- S9275 concealed steel hangers
- S8850 1 1/2in plastic domed waste
- S8915 1 1/2in plastic bottle trap with 75mm seal
- S6120 division with hanger and screw

**Standards**

Vitreous china to BS 3402

**Options**

- S6105 Sanura 40cm wall urinal
- S6286 back inlet spreader
- S8811 1 1/4in plastic strainer waste
- S8910 1 1/4in plastic bottle trap with 75mm seal

**Material**

Vitreous china

**Special notes**

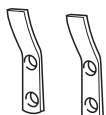
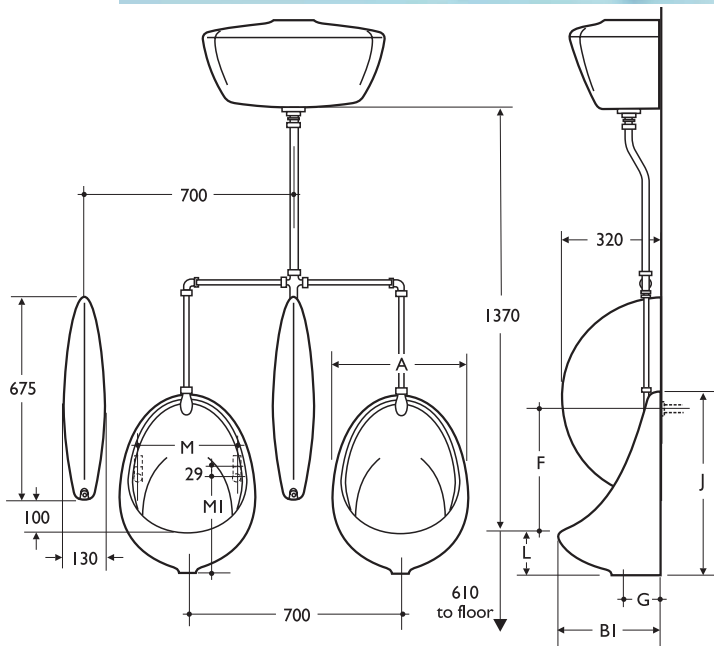
See page 11:1:13 for flushpipes

**Weight**

- 50cm 10.0kg
- 40cm 6.0kg
- Division 8.0kg

**Colours**

Available in White (01) only



	A	BI	F	G	J	L	M	MI
500mm size	390	305	350	120	500	100	280	205
400mm size	300	250	265	100	400	85	205	170

Urinals for junior use should be set at 510mm from floor to lip of bowl

