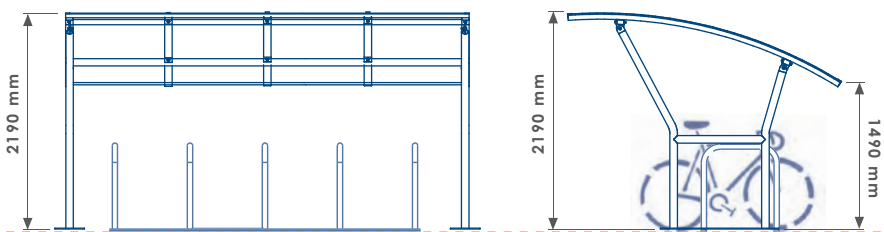
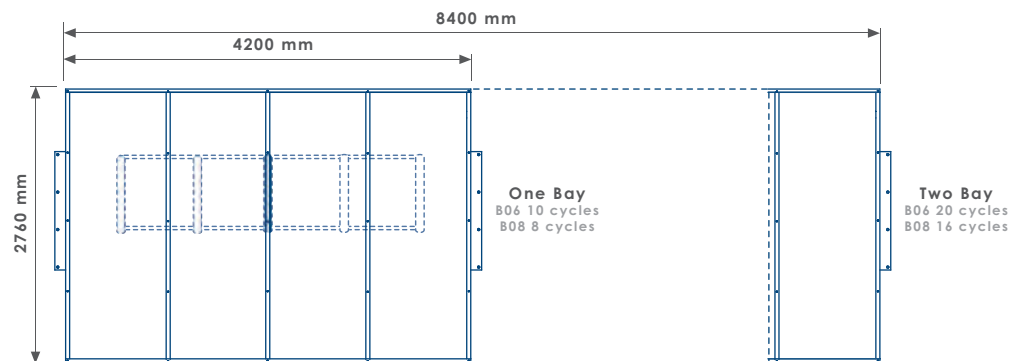




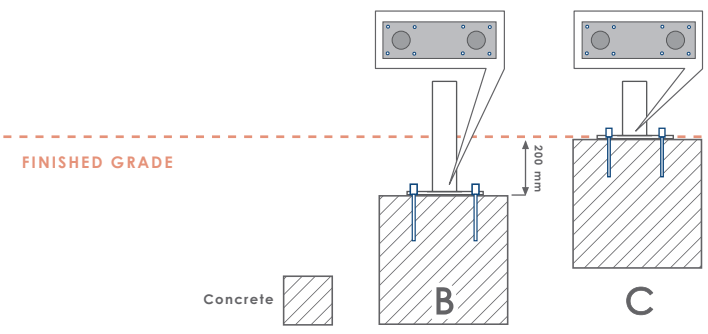
MCS201/B/GPC/2 BAY



CODING METHOD				
PRODUCT CODE	FIXING METHOD	SLAT MATERIAL	METAL FINISH	NUMBER OF BAYS
MCS201	B		GPC	2

* Technical drawings not to scale

- NOTE-**
- Site Engineer to determine suitable fixing method.
 - Fixing bolts by others - 14 mm dia. holes (use M12 bolts).
 - Size of concrete foundation and concrete mix to be determined on site taking ground conditions into account and any risk of wind exposure.
 - Number of bays can be matched to cycle parking requirements, specify in coding method.
 - Roof covering in 10 mm Twinwall opaque polycarbonate.
 - Cycle rack is the Malford Sheffield Toast Rack (MCR201) to BREEAM 2006 (10 bikes/bay) or 2008 (8 bikes/bay).



MALFORD CYCLE SHELTER MCS201

PRODUCT DIMENSIONS	HEIGHT	2190 mm	LENGTH/BAY	4200 mm	WIDTH	2760 mm	WEIGHT/BAY	250 Kg	CAPACITY	SEAT HEIGHT	OTHER
--------------------	--------	---------	------------	---------	-------	---------	------------	--------	----------	-------------	-------

FIXING OPTION	Direct Embedment/Root Fix	A
	Below Finished Grade Base Fix	B <input checked="" type="checkbox"/>
	Surface Mount	C <input checked="" type="checkbox"/>
	Plinth Mount - Buff Exposed Aggregate	D-BEA
	Plinth Mount - Buff Granite	D-BG
	Plinth Mount - Grey Granite	D-GG
	Free Standing	FS
	Free Standing with Base Weight	FS-BW
	Wall Mount	WM
	Non Standard	NS
To BREEAM Standard	B06/B08	

SLAT MATERIAL	Treated Redwood Class 3 Unstained	TRC3
	Treated Redwood Class 3 Stained Dark Oak	TRC3-DO
	Treated Redwood Class 4 Unstained	TRC4
	Treated Redwood Class 4 Stained Dark Oak	TRC4-DO
	Treated Softwood Unstained	TS
	Douglas Fir	DF
	FSC Hardwood Iroko	HI
	Recycled Plastic - Black	RP-BK
	Recycled Plastic - Grey	RP-GY
	Recycled Plastic - Green	RP-GN
Recycled Plastic - Brown	RP-BR	

METAL FINISH	Aluminium Powder Coated	APC	
	Galvanised	GL <input checked="" type="checkbox"/>	
	Galvanised and Powder Coated	GPC <input checked="" type="checkbox"/>	
	Zinc Plated and Powder Coated	PPC	
	Stainless Steel	SS-304/316	
	TOP TYPE	Apex Top	AT
		Chamfer Top	CT
		Dome Top	DT
		Flat Top	FT
		Open Top	OT
Slant Top	ST		

CONCRETE COLOUR	Concrete Colour - Light Grey	LG	
	Concrete Colour - White	WT	
	Concrete Colour - Buff	BF	
	Concrete Colour - Black	BK	
	Concrete Colour - Red	RD	
	Concrete Colour - Standard Grey	SG	
	Concrete Colour - Non Standard	NS	
	FINISH	Concrete Finish - Dressed Finish	DS
		Concrete Finish - Satin Shine	SH
		Concrete Finish - Deluxe Polish (top)	DP
Concrete Finish - Textured Finish		TF	