

Cycle Stands - Stainless Steel

Size All as shown on the line drawings. However, we can manufacture to any height, length and material diameter.

Material Grade 316 and 304 stainless steel to BS 1449 part 2 1983 as standard.

Finish Highly polished, satin brush polished or a combination of these is available. Products can also be nylon coated in any RAL/BS colour.

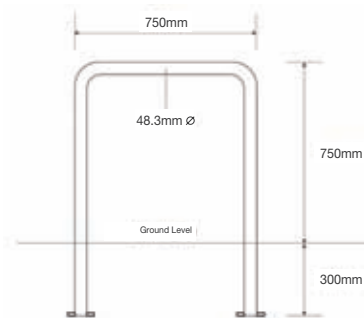
Fixing Root base or base plate fixing available - an additional cross bar can be supplied on some models.

Insignia Borough/city/town coat of arms, crests, logos etc. can be etched or cut into any cycle stand.

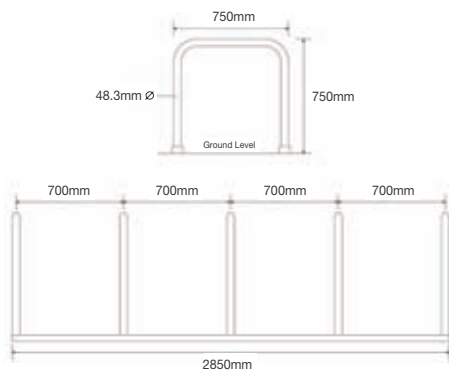
Packaging All products are supplied vacuum sealed in polythene offering protection until installation.

We offer a full range of standard cycle stands from simple hoops to more unusual designs incorporating logos. However, we have the design and manufacturing skills to produce any bespoke design.

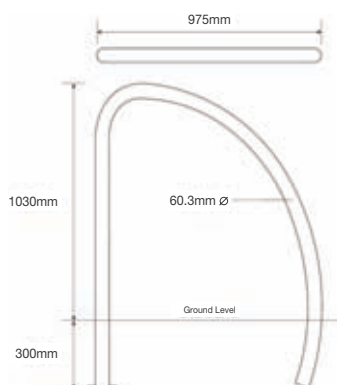
OLY 8000 SS



OLY 8000 R5



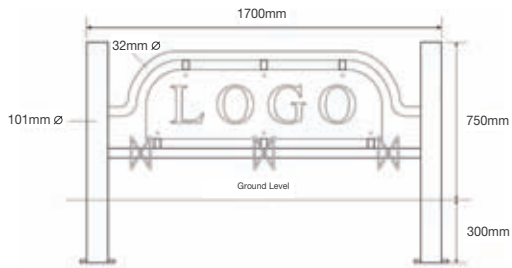
OLY 8001



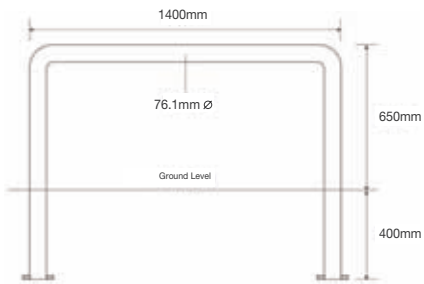
OLY 8000 SS

Cycle Stands - Stainless Steel

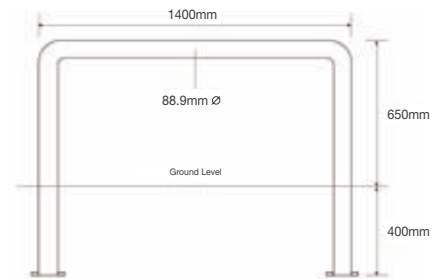
OLY 8002



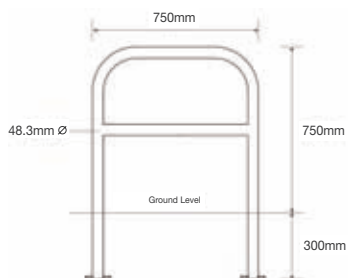
OLY 8005



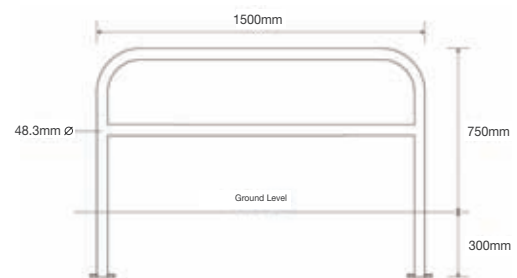
OLY 8006



OLY 8007

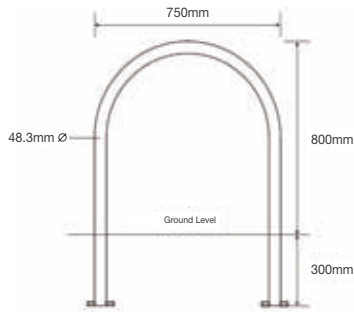


OLY 8008

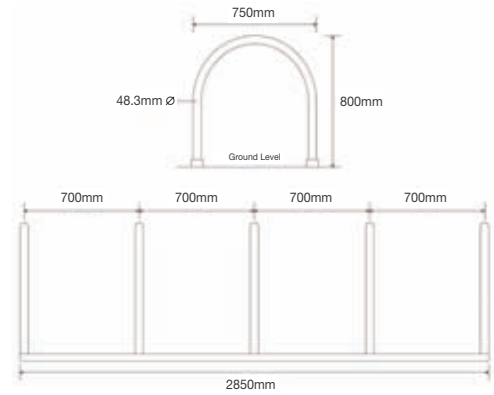


Cycle Stands - Stainless Steel

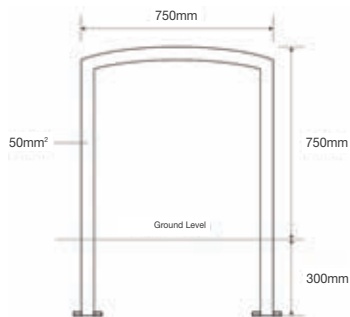
OLY 8009



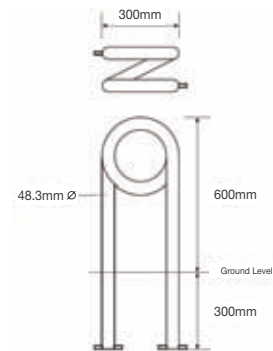
OLY 8009 R5



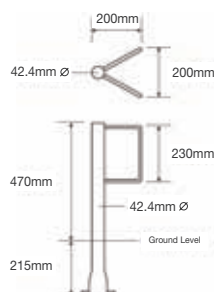
OLY 8010



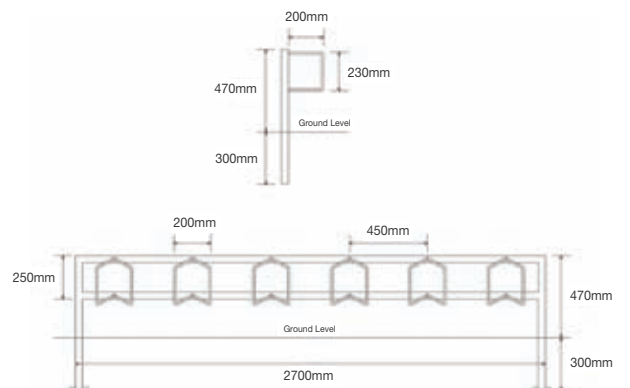
OLY 8011



OLY 8012

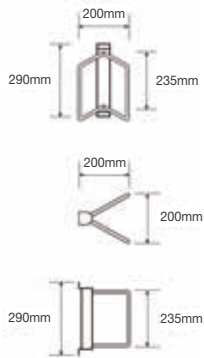


OLY 8012 R6

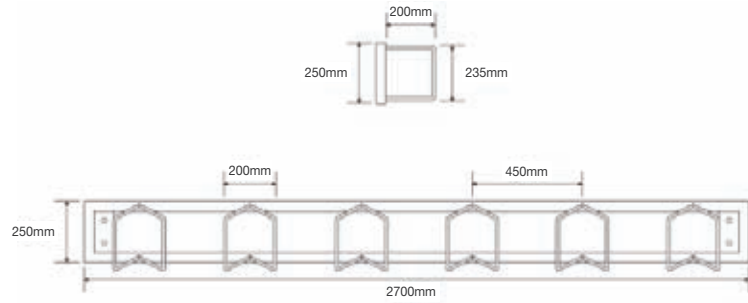


Cycle Stands - Stainless Steel

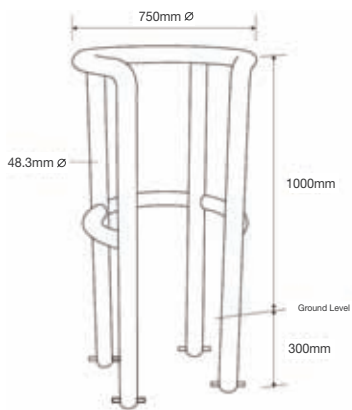
OLY 8013



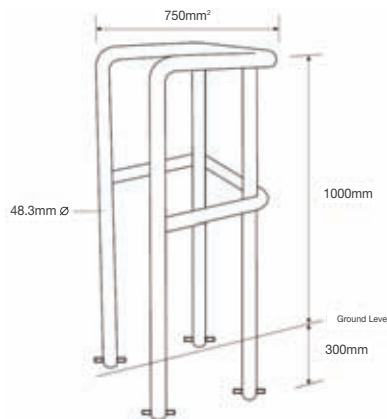
OLY 8013 R6



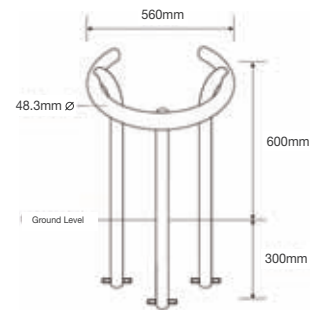
OLY 8500 C



OLY 8500 S



OLY 8600 C



OLY 5008

OLY 5008 Bollards adapted for use as cycle stand by adding connecting rails

