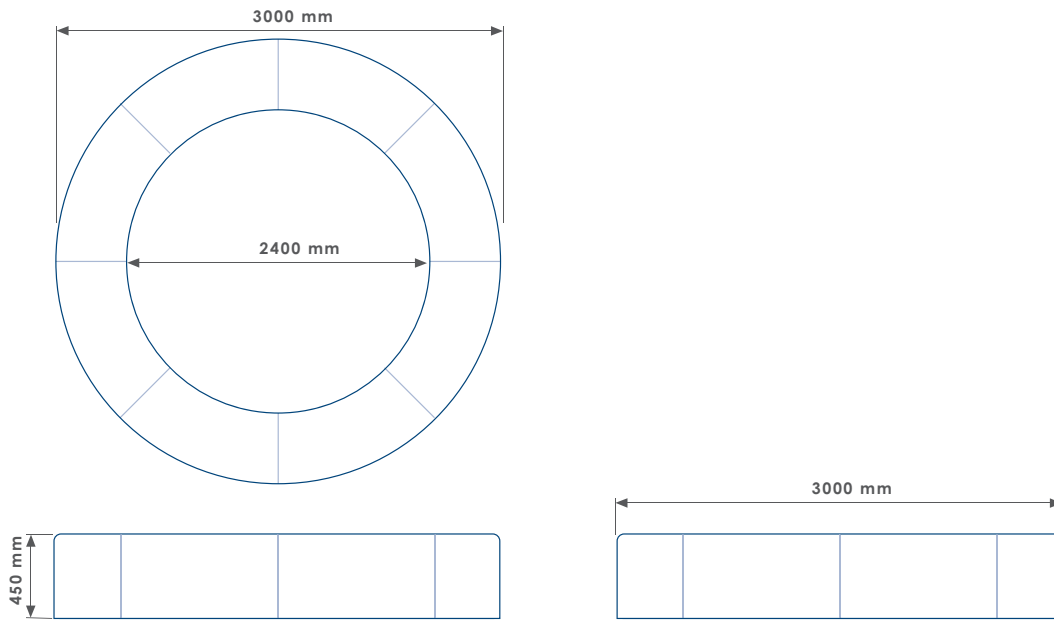


PPL404/FS/LG/DS



CODING METHOD				
PRODUCT CODE	FIXING METHOD	CONCRETE COLOUR	METAL FINISH	FINISH
PPL404	FS	LG		DS

* Technical drawings not to scale

NOTE-

- Site Engineer to determine suitable fixing method.
- Various aggregate options are available for differing polished top finishes and colours. Please ask sales person for options.

FINISHED GRADE

PEWSHAM PLANTER PPL404

PRODUCT DIMENSIONS	HEIGHT	450 mm	LENGTH	3000 mm	WIDTH	3000 mm	WEIGHT	2304 Kg	CAPACITY		SEAT HEIGHT		INTERNAL DIAMETER	2400 mm
--------------------	--------	--------	--------	---------	-------	---------	--------	---------	----------	--	-------------	--	-------------------	---------

FIXING OPTION	Direct Embedment/Root Fix	A		
	Below Finished Grade Base Fix	B		
	Surface Mount	C		
	Plinth Mount - Buff Exposed Aggregate	D-BEA		
	Plinth Mount - Buff Granite	D-BG		
	Plinth Mount - Grey Granite	D-GG		
	Free Standing	FS	<input checked="" type="checkbox"/>	
	Free Standing with Base Weight	FS-BW		
	Wall Mount	WM		
	Non Standard	NS		
To BREEAM Standard	B06/B08			
SLAT MATERIAL	Treated Redwood Class 3 Unstained	TRC3		
	Treated Redwood Class 3 Stained Dark Oak	TRC3-DO		
	Treated Redwood Class 4 Unstained	TRC4		
	Treated Redwood Class 4 Stained Dark Oak	TRC4-DO		
	Treated Softwood Unstained	TS		
	Douglas Fir	DF		
	FSC Hardwood Iroko	HI		
	Recycled Plastic - Black	RP-BK		
	Recycled Plastic - Grey	RP-GY		
	Recycled Plastic - Green	RP-GN		
Recycled Plastic - Brown	RP-BR			

METAL FINISH	Aluminium Powder Coated	APC			
	Galvanised	GL			
	Galvanised and Powder Coated	GPC			
	Zinc Plated and Powder Coated	PPC			
	Stainless Steel	SS-304/316			
	TOP TYPE	Apex Top	AT		
		Chamfer Top	CT		
		Dome Top	DT		
		Flat Top	FT		
		Open Top	OT		
Slant Top	ST				

CONCRETE COLOUR	Concrete Colour - Light Grey	LG	<input checked="" type="checkbox"/>	
	Concrete Colour - White	WT	<input checked="" type="checkbox"/>	
	Concrete Colour - Buff	BF	<input checked="" type="checkbox"/>	
	Concrete Colour - Black	BK	<input checked="" type="checkbox"/>	
	Concrete Colour - Red	RD	<input checked="" type="checkbox"/>	
	Concrete Colour - Standard Grey	SG	<input checked="" type="checkbox"/>	
	Concrete Colour - Non Standard	NS	<input checked="" type="checkbox"/>	
	FINISH	Concrete Finish - Dressed Finish	DS	<input checked="" type="checkbox"/>
		Concrete Finish - Satin Shine	SH	<input checked="" type="checkbox"/>
		Concrete Finish - Deluxe Polish (top)	DP	<input checked="" type="checkbox"/>
Concrete Finish - Textured Finish		TF	<input checked="" type="checkbox"/>	