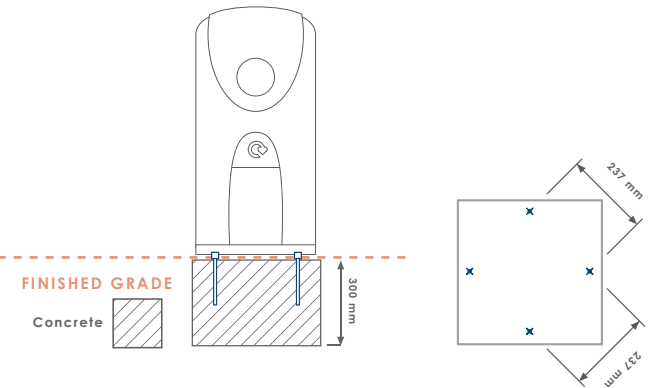
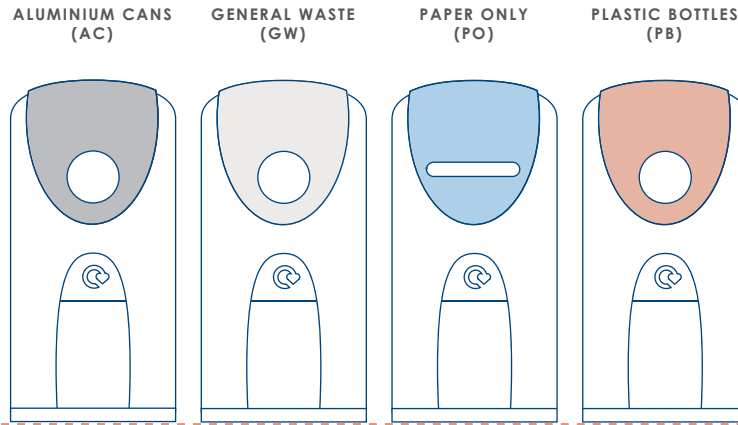
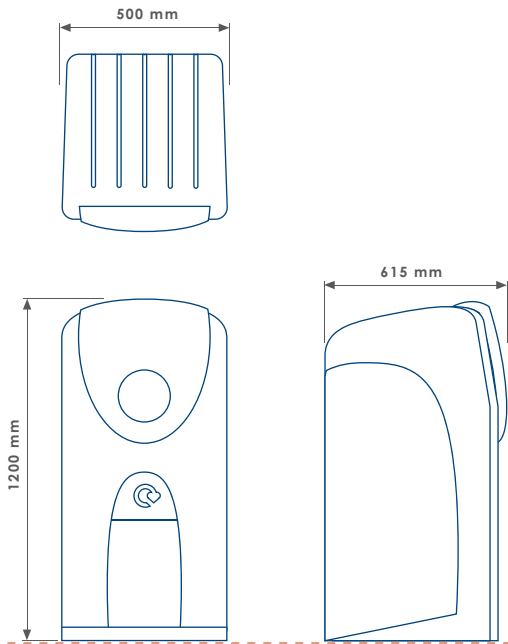


# PEWSHAM RECYCLING UNIT

PRU401



PRU401/C/BG/GL/AC



CODING METHOD				
PRODUCT CODE	FIXING METHOD	PLASTIC COLOUR	METAL FINISH	RECYCLE OPTION
PRU401	C	BG	GL	AC

\* Technical drawings not to scale

**NOTE-**

- Site Engineer to determine suitable fixing method.
- Fixing bolts by others - 12 mm dia. holes (use M10 bolts).
- Size of concrete foundation to be determined on site taking ground conditions into account (minimum size 450 mm x 450 mm x 450 mm).
- Plastic colours are for reference only, if colour is critical request colour chip.
- Normally Free Standing with base weight (ballast cartridge).

# PEWSHAM RECYCLING UNIT PRU401

<b>PRODUCT DIMENSIONS</b>	<b>HEIGHT</b> 1200 mm	<b>LENGTH</b> 615 mm	<b>WIDTH</b> 500 mm	<b>WEIGHT</b>	<b>CAPACITY</b> 140 Litres	<b>SEAT HEIGHT</b>	<b>OTHER</b>
---------------------------	-----------------------	----------------------	---------------------	---------------	----------------------------	--------------------	--------------

FIXING OPTION	Direct Embedment/Root Fix	A	
	Below Finished Grade Base Fix	B	
	Surface Mount	C	<input checked="" type="checkbox"/>
	Plinth Mount - Buff Exposed Aggregate	D-BEA	
	Plinth Mount - Buff Granite	D-BG	
	Plinth Mount - Grey Granite	D-GG	
	Free Standing	FS	<input checked="" type="checkbox"/>
	Free Standing with Base Weight	FS-BW	<input checked="" type="checkbox"/>
	Wall Mount	WM	
	Post Mount	PM	
To BREEAM Standard	B06/B08		

RECYCLE OPTION	General Waste	GW	<input checked="" type="checkbox"/>
	Mixed Recycling	MR	<input checked="" type="checkbox"/>
	Plastic Bottles	PB	<input checked="" type="checkbox"/>
	Paper Only	PO	<input checked="" type="checkbox"/>
	Aluminium Cans	AC	<input checked="" type="checkbox"/>
	Paper and Card	PC	<input checked="" type="checkbox"/>
	No Insert	NI	<input checked="" type="checkbox"/>
	Recycled Plastic - Black	RP-BK	
	Recycled Plastic - Grey	RP-GY	
	Recycled Plastic - Green	RP-GN	
Recycled Plastic - Brown	RP-BR		

METAL FINISH	Aluminium Powder Coated	APC	
	Galvanised Liner	GL	<input checked="" type="checkbox"/>
	Galvanised and Powder Coated	GPC	
	Zinc Plated and Powder Coated	PPC	
	Stainless Steel	SS-304/316	
	Apex Top	AT	
TOP TYPE	Chamfer Top	CT	
	Hooded Top	HT	
	Flat Top	FT	
	Open Top	OT	
	Dog Waste	DW	

PLASTIC COLOUR	Recycled Black	RB	<input checked="" type="checkbox"/>	Recycled Multi	RM	<input checked="" type="checkbox"/>
	Black	BK	<input checked="" type="checkbox"/>	Onyx	OX	<input checked="" type="checkbox"/>
	Light Grey	LG	<input checked="" type="checkbox"/>	Burgundy	BG	<input checked="" type="checkbox"/>
	Admiralty Grey	AG	<input checked="" type="checkbox"/>	Grey White	GW	<input checked="" type="checkbox"/>
	Medway Blue	MB	<input checked="" type="checkbox"/>	Bluebell White	BW	<input checked="" type="checkbox"/>
	Boat Blue	BB	<input checked="" type="checkbox"/>	Ultramarine Blue	UB	<input checked="" type="checkbox"/>
	Classic Navy	CN	<input checked="" type="checkbox"/>	Dark Aqua	DA	<input checked="" type="checkbox"/>
	Red Signal	RS	<input checked="" type="checkbox"/>	Pallet Orange	PO	<input checked="" type="checkbox"/>
	Heather Violet	HV	<input checked="" type="checkbox"/>	Lime Green	LG	<input checked="" type="checkbox"/>
	Golden Yellow	GY	<input checked="" type="checkbox"/>	RSJ Green	GG	<input checked="" type="checkbox"/>
Racing Green	RG	<input checked="" type="checkbox"/>	Heritage Green	HG	<input checked="" type="checkbox"/>	