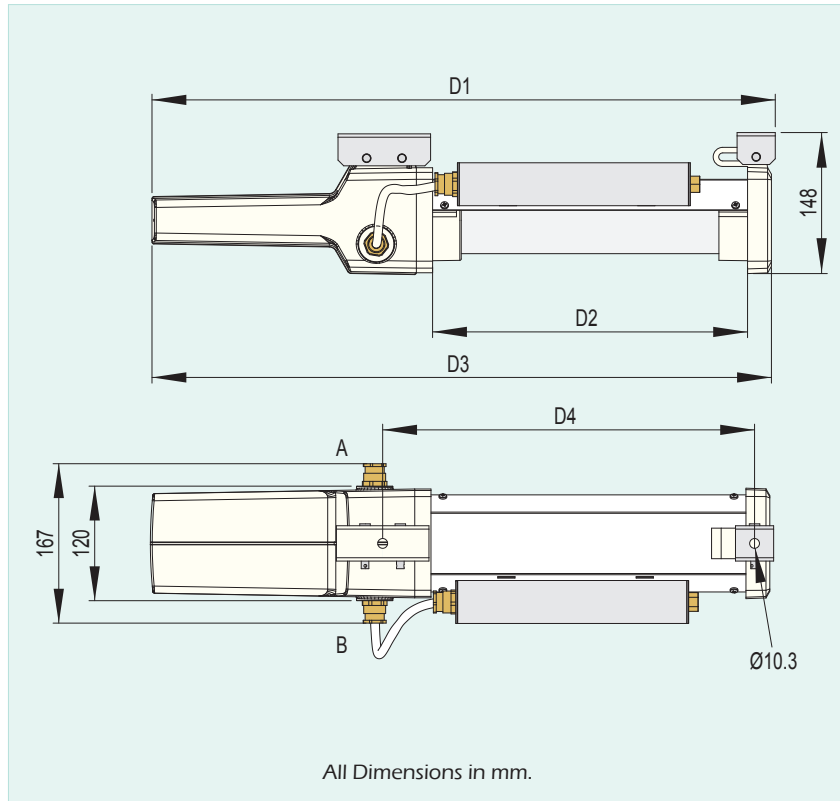


## Calstar - Ex de Emergency Fluorescent Fitting for 8 to 58 Watt Lamps

HAZARDOUS AREA SPECIFICATION			
Marking to 94/9/EC		Ex II 2 GD	
Type of Protection		550 series	Ex de IIB T* Gb Ex tb IIIC T***C Db
		650 series	Ex de IIC T* Gb Ex tb IIIC T***C Db
Ambient Temp. °C		Gas Temperature Class (T*°C)	Dust Temperature Class (T**)(°C)
Min	Max		
-20	+40	T6	85
-20	+50	T5	100
Ingress Protection		Glass overtube - IP67 to EN60529:1992 polycarbonate over tube - IP6X to EN60529:1992	
Area Classification		Zones 1,2,21,22	
Certification No.		SIRA00ATEX1 107X GOST-R POCC GB.Mn14.B00223	

ENCLOSURE SPECIFICATION	
Material	All cast parts - light metal alloy Overtube - borosilicate glass / polycarbonate Reflector - 1.2mm galvanized mild steel
Finish	Cast metal parts - epoxy powder coated - RAL7032 Reflector - epoxy powder coat - white
Cover Fixing	M6 allen head stainless steel screws
Gasket	Nitrile O ring
Earthing	Internal
Entries	1 x 20mm Ex d threaded entry c/w Ex d plug
Mounting	2 x Stainless Steel removable mounting brackets supplied as standard

ELECTRICAL SPECIFICATION	
Control gear	High frequency electronic ballast complying with all European standards relating to safety, operation and EMC (Immunity)
Operating voltage	220 – 254 Volts 50/60Hz
Operating current	0.5 Amps
Power factor	0.98
Emergency operation	Maintained or non-maintained
Emergency operating time	3 hours
Ballast lumen factor (%)	8W - 27, 18W - 12, 36W - 10, 58W - 7
Recharge time	24 Hours from fully discharged.
Battery protection	Protection against deep discharge and reverse battery polarity
Terminals	2.5mm <sup>2</sup> connection block suitable for through wiring
Lamps	Bi-pin Fluorescent tube, T5 for 8W, T8 for all other fittings
EMC	To EN55015:2000



Model	D1	D2	D3	D4
8 Watts	653mm	330mm	649mm	390mm
18 Watts	915mm	592mm	911mm	652mm
36 Watts	1514mm	1191mm	1510mm	1251mm
58 Watts	1820mm	1497mm	1816mm	1557mm

### ORDERING INFORMATION

GAS GROUPS IIA AND IIB				GAS GROUPS IIC			
Wattage	Lamp Length (mm)	Weight (Kg)	Product Code	Wattage	Lamp Length (mm)	Weight (Kg)	Product Code
1 x 8 Watts	300	3	550/0211	1 x 8 Watts	300	3	650/0211
1 x 18 Watts	600	6.5	550/0103	1 x 18 Watts	600	6.5	650/0103
2 x 18 Watts	600	6.7	550/0121	2 x 18 Watts	600	6.7	650/0121
1 x 36 Watts	1200	8.5	550/0109	1 x 36 Watts	1200	8.5	650/0109
2 x 36 Watts	1200	8.7	550/0127	2 x 36 Watts	1200	8.7	650/0127
1 x 58 Watts	1550	9.5	550/0115	1 x 58 Watts	1550	9.5	650/0115
2 x 58 Watts	1550	9.8	550/0133	2 x 58 Watts	1550	9.8	650/0133

Note: Append 'P' to the product code for a polycarbonate overtube e.g. 550/0133P.

Add /WG to part number if a wire guard is required. Pepperl+Fuchs light fittings are not supplied with lamps. Other mounting options available.

Subject to modifications without notice

Pepperl+Fuchs Group  
www.pepperl-fuchs.com

USA: +1 330 486 0002  
pa-info@us.pepperl-fuchs.com

Germany: +49 621 776 2222  
pa-info@de.pepperl-fuchs.com

Copyright Pepperl+Fuchs  
Singapore: +65 6779 9091  
pa-info@sg.pepperl-fuchs.com

**PEPPERL+FUCHS**  
PROTECTING YOUR PROCESS